

R5 KD 0025 A

Oil-lubricated rotary vane vacuum pump



Discover all advantages of the product series R5 KD

Compact

Direct-drive construction, reduced height and weight, specially designed for table top packaging machines

High performance

Fast pump-down times, high vapor tolerance, excellent condensation protection, optimum temperature management

Easy servicing

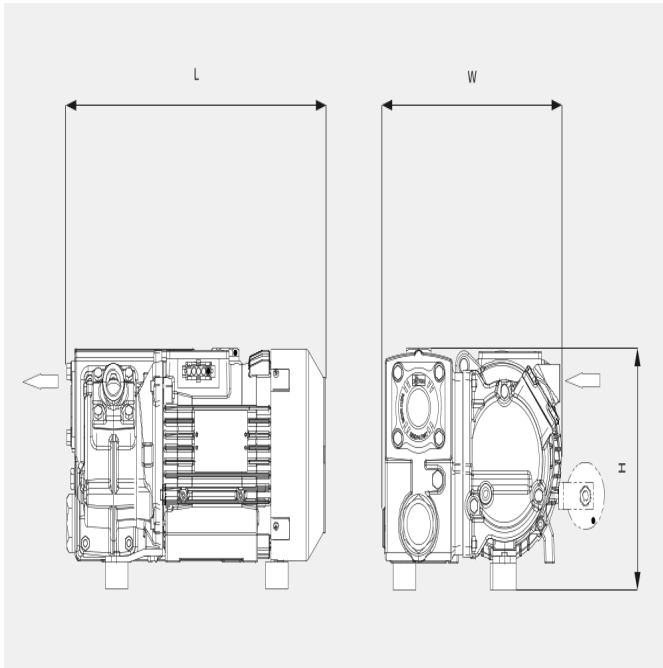
Fast service routine, long service intervals, smooth surface design for easy cleaning

R5 KD 0025 A

Oil-lubricated rotary vane vacuum pump

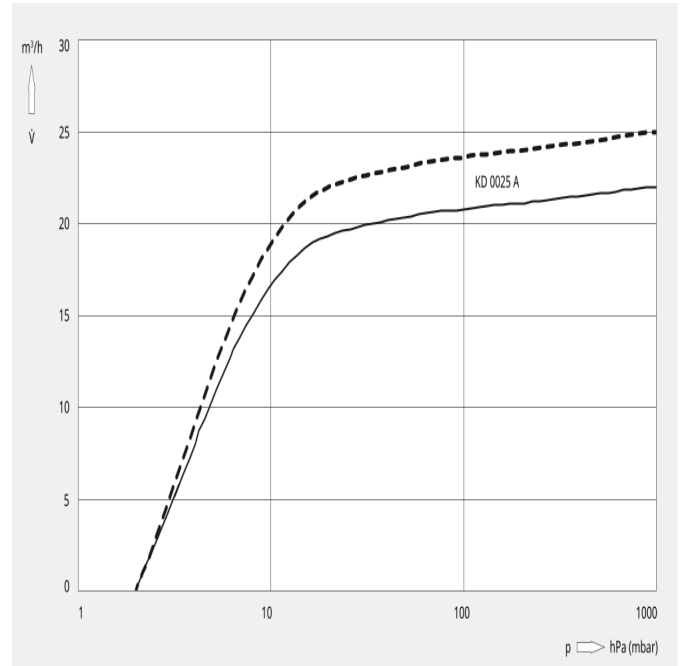


Dimensional drawing



Pumping speed

Air at 20 °C. Tolerance: ± 10%



The following technical values refer to ISO 50 Hz

	R5 KD 0025 A short separator	KD 0025 A long separator
Nominal pumping speed	22 m³/h	22 m³/h
Ultimate pressure	2.0 hPa (mbar)	2.0 hPa (mbar)
Nominal motor rating	0.75 kW	0.75 kW
Nominal motor speed	3000 min ⁻¹	3000 min ⁻¹
Noise level (ISO 2151)	62 dB(A)	64 dB(A)
Oil capacity	0.3 l	0.45 l
Weight approx.	21 kg	21 kg
Dimensions (L x W x H)	339 x 235 x 180 mm	338 x 232 x 187 mm
Gas outlet	G ½"	G ½"
Gas inlet	G ½"	G ½"

R5 KD 0025 A

Oil-lubricated rotary vane vacuum pump



The following technical values refer to ISO 60 Hz

	R5 KD 0025 A short separator	KD 0025 A long separator
Nominal pumping speed	25 m ³ /h	25 m ³ /h
Ultimate pressure	2.0 hPa (mbar)	2.0 hPa (mbar)
Nominal motor rating	0.9 kW	0.9 kW
Nominal motor speed	3600 min ⁻¹	3600 min ⁻¹
Noise level (ISO 2151)	67 dB(A)	68 dB(A)
Oil capacity	0.3 l	0.45 l
Weight approx.	21 kg	21 kg
Dimensions (L x W x H)	339 x 235 x 180 mm	338 x 232 x 187 mm
Gas outlet	G ½"	G ½"
Gas inlet	G ½"	G ½"

DO YOU WANT TO KNOW MORE

Please contact us!
sales@busch.de or +49 (0)7622 681-3240



CONTACT FORM



CALL US NOW