

DOLPHIN LX 0110-0180 C

Liquid Ring Vacuum Pumps



DISCOVER ALL ADVANTAGES
OF THE DOLPHIN LX SERIES

Robust

Proven technology, reliable operation, extremely high particle and vapor tolerance, corrosion-free stainless steel impeller

Compact

Directly flanged motor, no base frame required

Flexible

Choice of cast iron (EN-GJL-200) or 316 grade stainless steel material housings, ATEX-certified version available (Cat. 2 (i) IIB, T4), operating fluids other than water possible

Accessories and spare parts

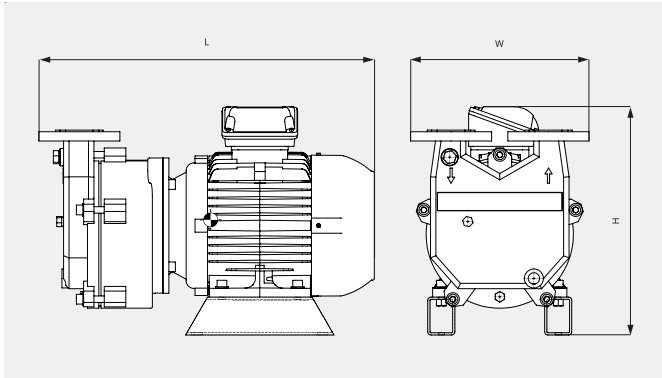
- Partial or total recirculation systems
- Liquid separator
- Cavitation protection
- Heat exchanger
- Gas ejector
- Wide selection of motors
- Non-return valves
- Vacuum relief valves
- Different operating fluids possible

DOLPHIN LX 0110-0180 C

Liquid Ring Vacuum Pumps

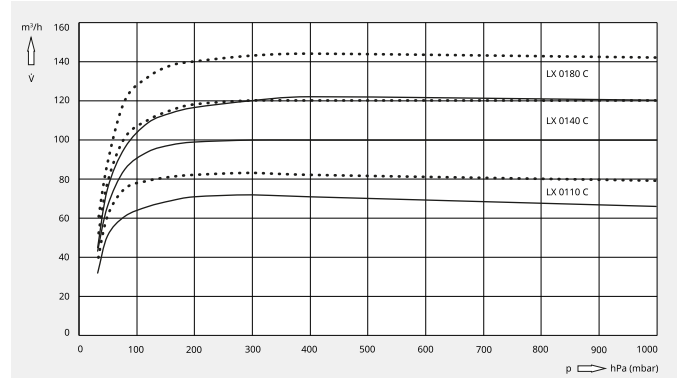


Dimensional drawing



Pumping speed

Air at 20 °C. Tolerance: ± 10% — 50 Hz -- 60 Hz



Technical data

ISO - 50 Hz

	LX 0110 C	LX 0140 C	LX 0180 C
Nominal pumping speed	72 m³/h	100 m³/h	122 m³/h
Ultimate pressure	33 hPa (mbar)	33 hPa (mbar)	33 hPa (mbar)
Nominal motor rating	2.2 kW	3.0 kW	4.0 kW
Nominal motor speed	1450 min ⁻¹	1450 min ⁻¹	1450 min ⁻¹
Noise level (ISO 2151)	70 dB(A)	70 dB(A)	70 dB(A)
Weight approx.	76 kg	87 kg	91 kg
Dimensions (L x W x H)	517 x 330 x 347 mm	568 x 330 x 347 mm	564 x 330 x 374 mm
Gas inlet / outlet	DN 40 PN 16 / DN 40 PN 16	DN 40 PN 16 / DN 40 PN 16	DN 40 PN 16 / DN 40 PN 16

DO YOU WANT TO KNOW MORE?

Get in touch with us directly!

sales@busch.co.uk or +44 (0)1952 67 74 32



CONTACT FORM



CALL NOW