

# Victaulic® Pipe Roll Grooving Tool RG3210



## 1.0 PRODUCT DESCRIPTION

### Grooving Capability

- 2 – 12"/60.3mm – 323.9mm

### Application

- Hydraulic-feed shop or field tool
- Anti-flare roll grooving capability to control pipe end flare<sup>1</sup>

### Performance<sup>2</sup>

	Pipe Size, mm																			
	60.3	73	76.1	88.9	101.6	108	114.3	127	133	139.7	141.3	152.4	165.1	168.3	203.2	216.3	219.1	267.4	273	318.5
Min. Allowed Wall Thickness, mm	2.77	3.05					3.4					3.76					4.19		4.57	
Max. Allowed Wall Thickness, mm	3.91	5.16	5.49	5.74	6.02					6.55		7.11			8.18			6.35		

<sup>1</sup> Only use the anti-flare grooving rolls supplied with the tool. Alternative Victaulic grooving rolls or parts from any other manufacturer must not be used with the RG3210 grooving tool.

<sup>2</sup> Maximum ratings on steel pipe are limited to 180 BHN (Brinell Hardness Number) and less.

**Speed:** 32 RPM

**Maximum working pressure:** 8000 kg

**Maximum oil cylinder pressure:** 40 MPa

**ALWAYS REFER TO ANY NOTIFICATIONS AT THE END OF THIS DOCUMENT REGARDING PRODUCT INSTALLATION, MAINTENANCE OR SUPPORT.**

System No.		Location	
Submitted By		Date	

Spec Section		Paragraph	
Approved		Date	

## 2.0 CERTIFICATION/LISTINGS



This product is designed and manufactured under the Victaulic Quality Management System, as certified by LPCB in accordance with ISO-9001:2008.

## 3.0 SPECIFICATIONS

**Drive Requirements:** Self-contained

**Power Requirements:**

- 220V, 1.5KW, 50Hz/60Hz, Single Phase
- The RG3210 can also be supplied for use with various global voltage connections
- Contact Victaulic for details

**Capacity of Oil Tank:** 150 ml

## 4.0 ACCESSORIES/COMPONENTS

- One (1) Tool with Motor and Hydraulic Pump Handle
- One (1) Foot Switch
- One (1) PS3210 Pipe Stand
- One (1) Roll Set Assembly Five (5) Rollers. These 5 rollers are: 2" – 76.1mm lower roller, 3" – 6" lower roller, 8" – 12" lower roller; 2" – 6" upper roller and 8" – 12" upper roller.
- Two (2) Operating and Maintenance Instruction Manuals

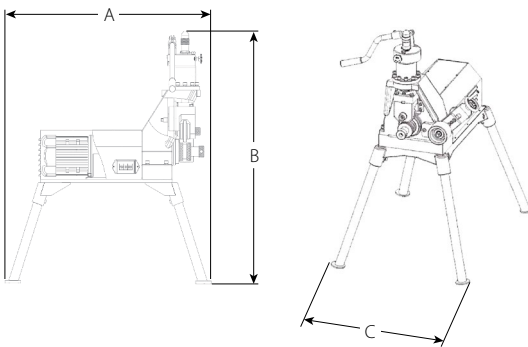
### NOTES

Victaulic Pipe Stand PS3210 is required for proper operation of the RG3210

Roll sets for RG3210 are not compatible with other Victaulic grooving tool

## 5.0 DIMENSIONS

### RG3210 Tool



Dimensions			Tool Weight kg lb
A mm inches	B mm inches	C mm inches	
1100	1300	820	137
43	51	32	302

## 6.0 NOTIFICATIONS

### WARNING



Failure to follow instructions and warnings could result in death or serious personal injury and property damage.

- Before setting up, operating, or servicing the RG3210 Roll Grooving Tool, read all instructions in the TM-RG3210 Operating and Maintenance and all warning labels on the tool.
- Wear safety glasses, hardhat, foot protection, and hearing protection while working around the tool.

## 7.0 REFERENCE MATERIALS

[TM-RG3210: RG3210 Operating and Maintenance Instructions Manual](#)

[25.01: Original Groove System \(OGS\) Groove Specifications](#)

### User Responsibility for Product Selection and Suitability

Each user bears final responsibility for making a determination as to the suitability of Victaulic products for a particular end-use application, in accordance with industry standards and project specifications, and the applicable building codes and related regulations as well as Victaulic performance, maintenance, safety, and warning instructions. Nothing in this or any other document, nor any verbal recommendation, advice, or opinion from any Victaulic employee, shall be deemed to alter, vary, supersede, or waive any provision of Victaulic Company's standard conditions of sale, installation guide, or this disclaimer.

### Intellectual Property Rights

No statement contained herein concerning a possible or suggested use of any material, product, service, or design is intended, or should be construed, to grant any license under any patent or other intellectual property right of Victaulic or any of its subsidiaries or affiliates covering such use or design, or as a recommendation for the use of such material, product, service, or design in the infringement of any patent or other intellectual property right. The terms "Patented" or "Patent Pending" refer to design or utility patents or patent applications for articles and/or methods of use in the United States and/or other countries.

### Note

This product shall be manufactured by Victaulic or to Victaulic specifications. All products to be installed in accordance with current Victaulic installation/assembly instructions. Victaulic reserves the right to change product specifications, designs and standard equipment without notice and without incurring obligations.

### Installation

Reference should always be made to the Victaulic installation handbook or installation instructions of the product you are installing. Handbooks are included with each shipment of Victaulic products, providing complete installation and assembly data, and are available in PDF format on our website at [www.victaulic.com](http://www.victaulic.com).

### Warranty

Refer to the Warranty section of the current Price List or contact Victaulic for details.

### Trademarks

*Victaulic* and all other Victaulic marks are the trademarks or registered trademarks of Victaulic Company, and/or its affiliated entities, in the U.S. and/or other countries.