

Simplex

Vacuum Systems
VD 0025–0100 G



› **Efficient:**

low energy consumption, can replace several individual vacuum pumps, nearly maintenance-free

› **Flexible:**

application-oriented, easy installation, no unnecessary run-times due to autonomous pressure control, optimum safety through a vacuum vessel

› **Compact:**

vacuum vessel mounted directly beneath the vacuum pump

› **Robust:**

with proven R 5 rotary vane vacuum pumps

Simplex VD are compact vacuum systems with proven R 5 rotary vane vacuum pumps and an upstream vacuum vessel with pumping speeds of 25 to 100 m³/h. Due to their vacuum vessel and autonomous pressure control, they are perfectly suited for use where ever a certain vacuum level has to be reliably achieved and maintained at a constant level.

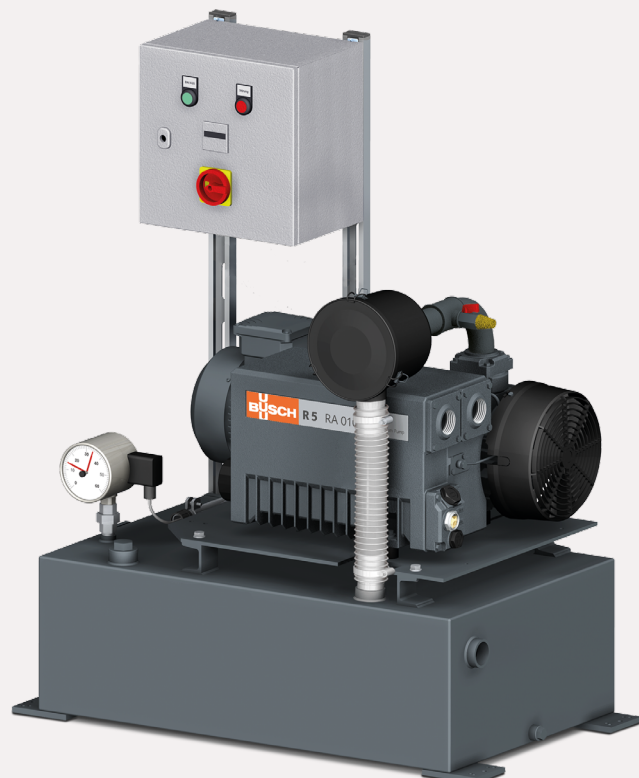
One Simplex VD vacuum system can replace several individual vacuum pumps, making evacuation in one process or several processes faster through its vacuum vessel. Suddenly occurring leaks can be easily buffered, thus increasing production safety. The mobile version of this vacuum system on casters (option) enables quick and flexible use at different locations within a facility.

Simplex VD vacuum systems can be easily installed („Plug & Pump“) and set up as a central vacuum supply away from workstations. This reduces noise emissions in the work place and thus improves working conditions.

The core of Simplex VD vacuum systems is the robust and proven R 5 oil-lubricated rotary vane vacuum pump with an ultimate pressure of 0.1 hPa (mbar).

The autonomously operating switch and control cabinet as well as a vacuum gauge with two contacts control the vacuum system. As soon as the freely selectable vacuum level in the vacuum vessel is achieved, the vacuum pump automatically switches off. Once the upper switching point has been reached, it is switched on again. This means that the R 5 vacuum pump is only in operation when it is actually required by the process, further reducing energy consumption.

Simplex VD – the simple, economical and compact solution.



Simplex VD 0100 G

Simplex

Vacuum Systems
VD 0025–0100 G



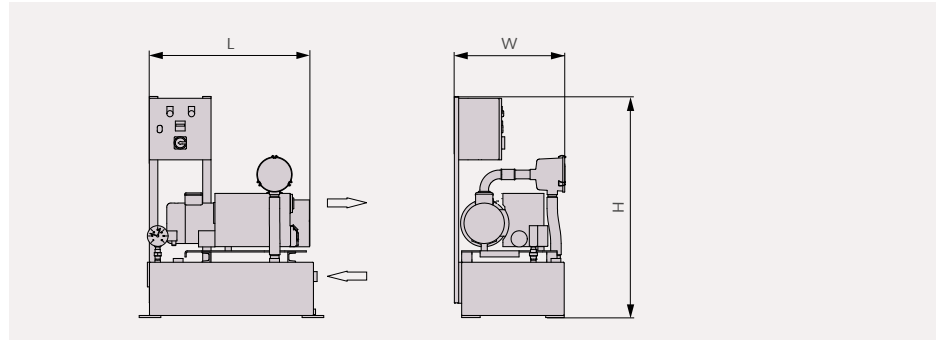
Technical specifications

Rotary vane technology is synonymous with a robust, functional construction. R 5 rotary vane vacuum pumps are characterized by an optimal design and perfectly synchronized components and materials. The constantly high vacuum level in continuous operation is ensured by recirculating oil lubrication and state-of-the-art precision manufacturing. An sophisticated oil separator ensures efficient use of oil. Because the vacuum pump is fitted with a gas-ballast valve, even large quantities of vapour can be extracted. A non-return valve in the inlet flange prevents the pumped medium from flowing back into the vacuum process after the vacuum pump is switched off. The vacuum pump is driven by a direct flange-mounted standard electric motor, with an efficiency class of IE3. In addition to an R 5 vacuum pump and the vacuum vessel, a switch and control cabinet, a contact pressure gauge and an inlet filter are included in the scope of delivery. All components are fully mounted on the vacuum vessel and are ready for immediate use. The R 5 vacuum pump is filled with Busch VM 100 mineral oil.

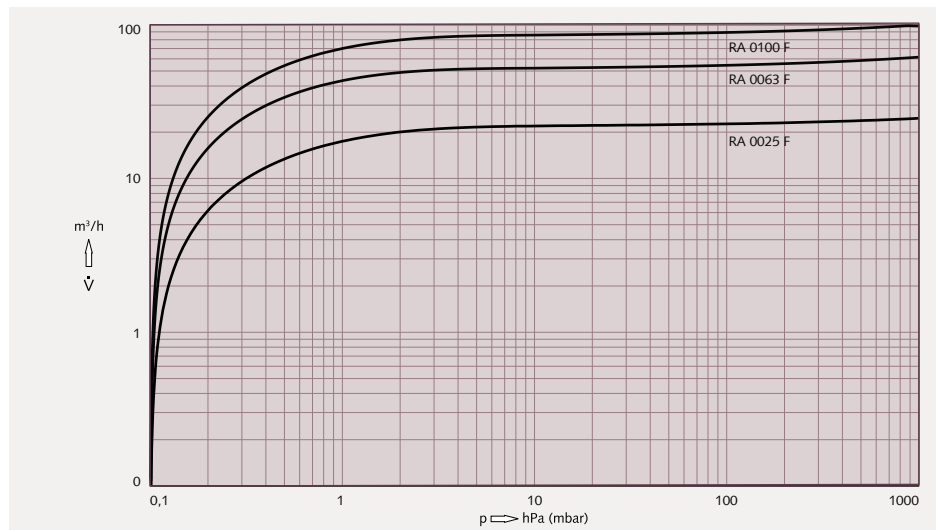
Accessories / Technical options

- Mobile version on casters
- Vacuum pump oils for all applications

VD 0025–0100 G



Pumping speed Air at 20 °C. Tolerance: ± 10% — 50 Hz



Technical data		VD 0025 G		VD 0063 G		VD 0100 G	
Nominal pumping speed	50 Hz	m³/h	25	63	100		
Ultimate pressure	50 Hz	hPa (mbar)	≤ 1	≤ 1	≤ 1		
Nominal motor rating	50 Hz	kW	1	2	2,7		
Nominal system rating	50 Hz	KW	1,5	2,5	3		
Noise level (ISO 2151)	50 Hz	dB(A)	60	64	65		
Oil capacity		l	1	2	2		
Volume vacuum vessel		l	100	100	100		
Weight approx.		kg	110	127	155		
Dimensions (L x W x H)		mm	900 x 549 x 1079	900 x 556 x 1079	900 x 556 x 1079		
Gas inlet/outlet			G 1 ¼" / G 1 ¼"	G 1 ¼" / G 1 ¼"	G 1 ¼" / G 1 ¼"		

Technical data only for 50 Hz, as operating voltage of control panel 380–415 V / 50 Hz

www.buschvacuum.com

Argentina Australia België Brasil Canada Česko Chile 中国 Colombia Danmark Deutschland España France भारत गणराज्य Ireland ישראל Italia 日本 대한민국 Magyarország Malaysia México Nederland New Zealand Norge Österreich Perú Polska Portugal România Россия Schweiz Singapore South Africa Suomi Sverige 台湾 ประเทศไทย Türkiye الإمارات العربية المتحدة United Kingdom USA

Technical data is subject to change. Created in Germany. MG PL SIMPLEXVD00250100G Len 01/2017 6.0