

VC100



VACUUM SWITCH

- Vacuum switch, useful for protecting the pump against dry running during draining of basins, tanks or cisterns
- The switch, which is fitted on the suction pipe, controls the vacuum generated by the pump
- The system is activated manually using the start lever which, when lowered, starts the pump running; this action leads to the creation of the vacuum which automatically determines the closure of the contacts. When the liquid supply is about to run out, the vacuum in the suction line disappears and so the switch deactivates the pump
- Variable distance between the switch and the end of the suction pipe (from 0 to 4 m / 0 to 157 ½ inches)
- Normally open brass alloy contacts with Ag-Ni insert
- Oil-resistant NBR rubber membrane
- Max ambient temperature 55°C

APPLICATIONS:



TECHNICAL DATA

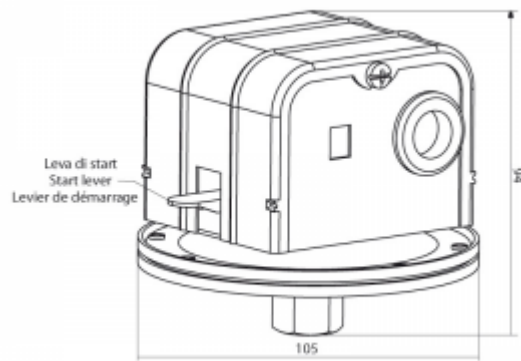
Connection: 1/4" F NPT

Rated voltage: 250V

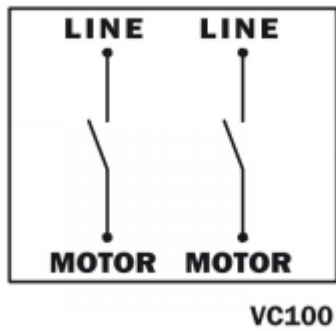
Rated current: 16 (10) A

Setting values: 1,5 - 2 - 2,5 - 4 - 4,5 inHg

DRAWINGS



Dimensions



Contacts arrangement

OPTIONAL

Tear-resistant wire clamps



Tear-resistant wire clamps



Any unauthorized reproduction or distribution of this document is forbidden. Italtecnica reserves the right to bring without notice any modification on technical data described in the present document. Italtecnica is not liable for any possible mistakes or omissions of the content.