

# Seco

## Rotary Vane Vacuum Pump SV 1008 C



Compact, reliable and extremely powerful – these are some of the features of Seco dry-running rotary vane vacuum pumps from Busch. Thanks to their lubricant-free vacuum generation, they can be used in many industrial applications where quick and reliable vacuum is required. With the Seco SV 1008 C Busch offers a popular size that is suitable for many applications.

### Application-oriented

Seco rotary vane vacuum pumps are characterised by oil-free vacuum and a high level of availability and operational reliability. This is ensured thanks to hard-wearing and self-lubricating vanes made from special graphite, the robust construction and lifetime-lubricated bearings. The compact design of the Seco vacuum pumps means, that they can be fitted or installed in any locations. The energy-efficient motor ensures an economical operation.

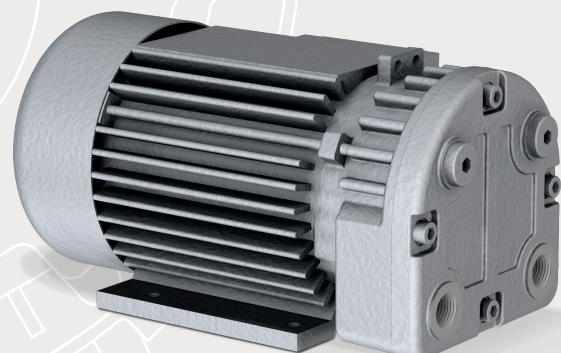
Seco rotary vane vacuum pumps are perfectly suited for use in pick and place applications for clamping and holding, the packaging industry, printing markets and many other industrial applications.

### Service-friendly

Maintenance can be easily carried out by the operator. Apart from regular checks or changing of the vanes and filter replacement at recommended service intervals no additional maintenance is required.



**Seco – The dry solution.  
Compact and powerful.**



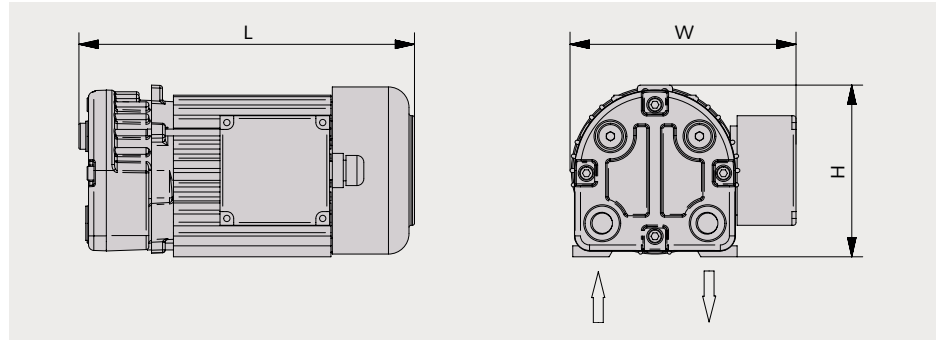
### Technical specifications

Seco vacuum pumps work in accordance to the proven rotary vane technology. Thanks to self-lubricating rotor vanes, no operating fluid is necessary. The compression occurs as part of a completely dry process. A consistently high vacuum level in continuous operation is guaranteed through perfectly coordinated materials, the special graphite vanes in the compression chamber, effective heat discharge and the state-of-the-art and precise manufacturing. A non-return valve (optional) prevents air from going back into the vacuum chamber when the vacuum pump is switched off. The unit is driven by an integrated motor which has a high level of efficiency. Seco vacuum pumps are available with a pumping speed from 3 to 40 m<sup>3</sup>/h. Compressor versions to generate overpressure up to 1.6 bar(g) are available also.

### Accessories/technical options

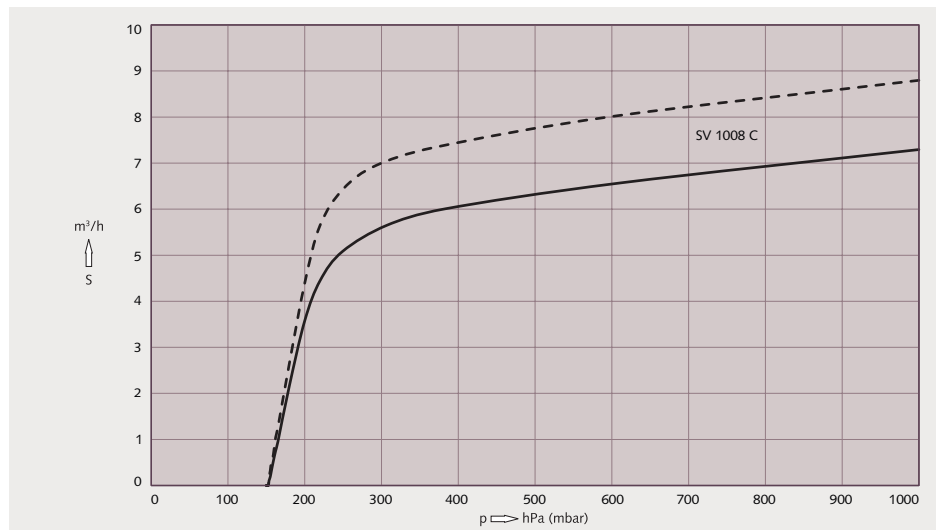
- Inlet filter
- Vacuum regulation unit
- Non-return valve (inlet side)
- Hose nipple
- Installation elements

### Seco SV 1008 C



### Pumping speed

Air at 20 °C. Tolerance: ± 10% — 50 Hz - - - - 60 Hz



Technical Data		SV 1008 C	
Nominal pumping speed	50 Hz / 60 Hz	m <sup>3</sup> /h	7.3 / 8.8
Ultimate pressure	50 Hz / 60 Hz	hPa (mbar)	150
Nominal motor rating	50 Hz / 60 Hz	kW	0.25 / 0.30
Nominal motor speed	50 Hz / 60 Hz	min <sup>-1</sup>	3000 / 3600
Noise level (ISO 2151)	50 Hz / 60 Hz	dB(A)	63 / 66
Weight approx.		kg	8.5
Dimensions	(L x W x H)	mm	245 x 164 x 125
Gas inlet / outlet		G	<sup>3</sup> / <sub>8</sub> " / <sup>3</sup> / <sub>8</sub> "

### Dr.-Ing. K. Busch GmbH

Schauinslandstraße 1 | 79689 Maulburg | Phone +49 (0)7622 681-0 | info@busch.de | www.busch.de