

SPY 2000



ELECTRONIC FLOW SWITCH

- Useful in all applications where it is necessary to protect the installation from temporary and sudden lacks of flow (low levels in the suction, obstructions of the pipeline, etc.)
- It is used in water reserve systems (tanks, cisterns, etc.) and automatizes their filling up and emptying out processes.
- It makes the electric pump start when detecting a minimum fluid dropping movement into the pipe; it makes it stop when the flow has been interrupted (taps closing or no water on suction side).
- It protects against the dry running.
- Standard 1" M hydraulic connections.
- Installation in any position ? both vertical and horizontal ? according to the flow direction.
- Easily replaceable electronic printed circuit board.
- No need of maintenance.

APPLICATIONS: Electronic flow and pressure devices, Dry running protection



TECHNICAL DATA

Power supply: 115-230Vac \pm 10% 50/60Hz

|

Max rated current: 12A

|

Min. flow rate: 2,4 lt/min

|

Max allowable pressure: 10 bar

|

Protection degree: IP 65

|

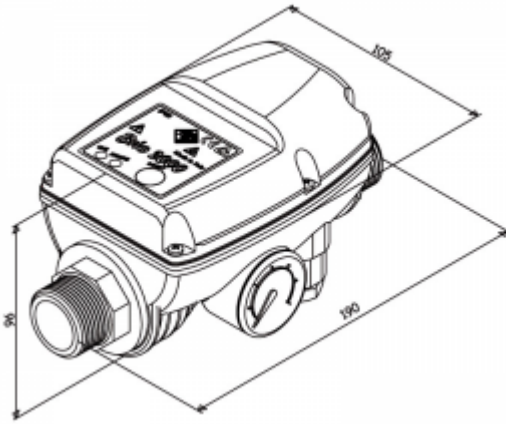
Max fluid temperature: 85°C

|

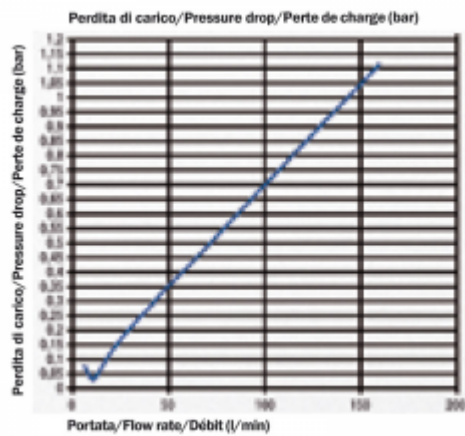
Max ambient temperature: 55°C

|

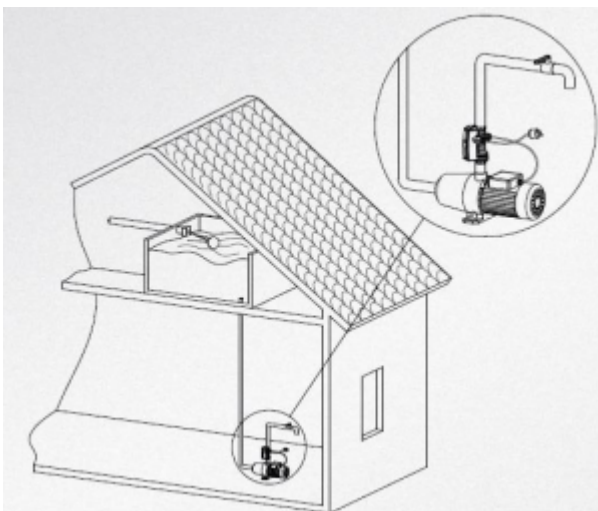
DRAWINGS



Dimensions



Pressure drop diagram



INSTALLATION EXAMPLE



Viale Europa, 31- 35020 Tribano - Padova (PD) - Italy
Tel. +39.0499.585.388 Fax. +39.0495.342.439
www.italtecnica.com - italtecnica@italtecnica.com

12/12/2019

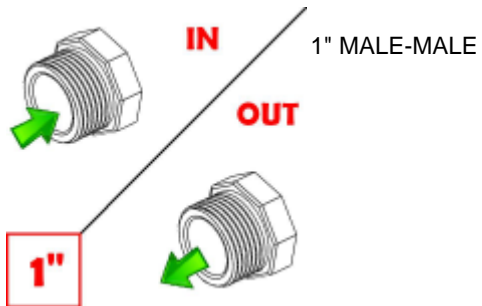


Viale Europa, 31- 35020 Tribano - Padova (PD) - Italy
Tel. +39.0499.585.388 Fax. +39.0495.342.439
www.italtecnica.com - italtecnica@italtecnica.com

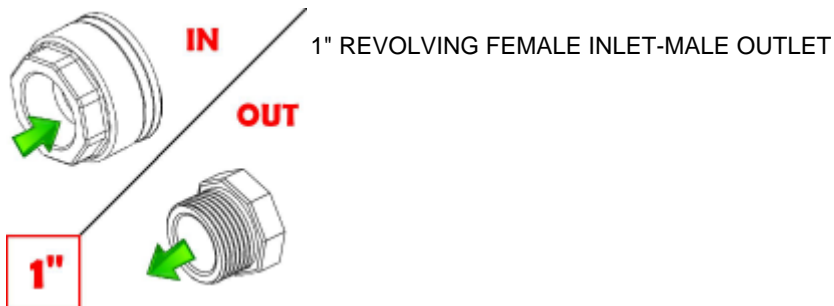
12/12/2019

ATTACH

1" M-M



1" G-M



OPTIONAL

Automatic Reset



Automatic reset after a stop caused by dry running, standard time-interval 60 min/4 tests



Electrical cables for motor and line connection



Version with electrical cables for motor and line connection

Electronic printed circuit board with conformal coating



Electronic printed circuit board with conformal coating (available also as spare part)

1" Plastic Elbow 90°



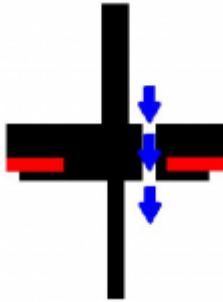
1" plastic elbow for a quick installation of the device on the electric pump

T plastic fitting



T plastic fitting

Version with drilled check valve for water column drain



Version with drilled check valve for water column drain

Revolving nut fitting 1" F



Revolving nut fitting 1" F



Any unauthorized reproduction or distribution of this document is forbidden. Italtecnica reserves the right to bring without notice any modification on technical data described in the present document. Italtecnica is not liable for any possible mistakes or omissions of the content.