

SPIN



ELECTRONIC FLOW SWITCH

- It automatizes the start and stop operations of **single-phase electric pumps up to 2HP**
- It is used in water reserve systems (tanks, cisterns, etc.) and automatizes their filling up and emptying out processes
- It makes the electric pump start when detecting a minimum fluid dropping movement into the pipe; it makes it stop when the flow has been interrupted (taps closing or no water on suction side)
- Ideal for **use in booster sets** in series with the traditional pressure switch, or in any other application requiring protection against operation when there is no water
- **Pump shutdown delay settable** internally from 10 to 180 seconds to enable filling of expansion tanks of various capacities
- **It protects against the dry running**
- Available **with SCHUKO** socket or **pre-fitted electric cables**
- Standard 1" M hydraulic connections
- Installation in any position - both vertical and horizontal - according to the flow direction
- **Automatic reset** after each shutdown of the electric pump; standard interval 60 min/4 attempts
- Easily replaceable electronic printed circuit board
- No need of maintenance

APPLICATIONS: Electronic flow and pressure devices, Dry running protection

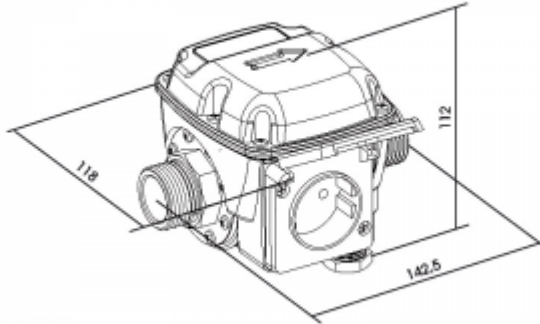


TECHNICAL DATA

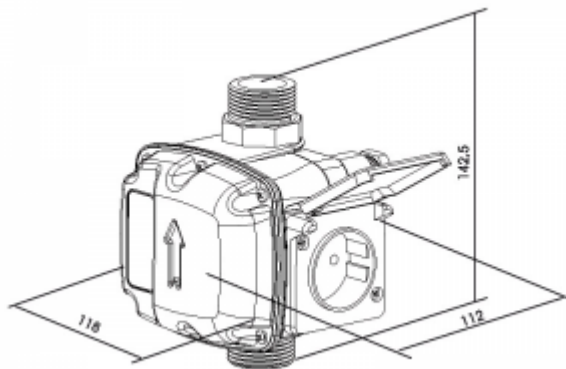
Power supply:	115-230Vac \pm 10% 50/60Hz
Min. detectable current	1A*
Max rated current:	12A
Max allowable pressure:	10 bar
Min flow rate:	2,4 l/min
Protection degree:	IP44 - IP65 (versione senza presa)
Max fluid temperature:	50°C
Max ambient temperature:	55°C

* **ATTENTION:** the pump will not be stopped if the absorbed current is below 1A!

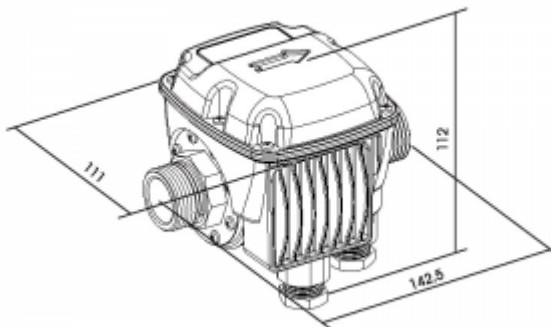
DRAWINGS



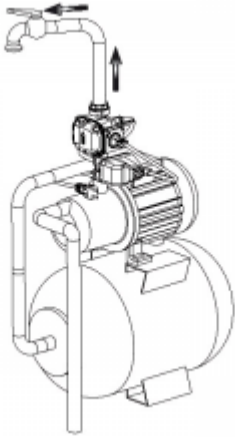
Dimensions



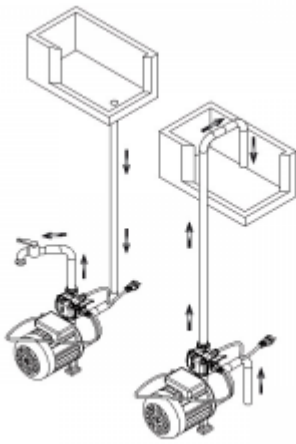
Dimensions



Dimensions



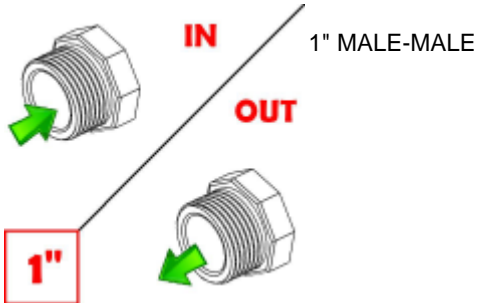
Installation on booster-sets



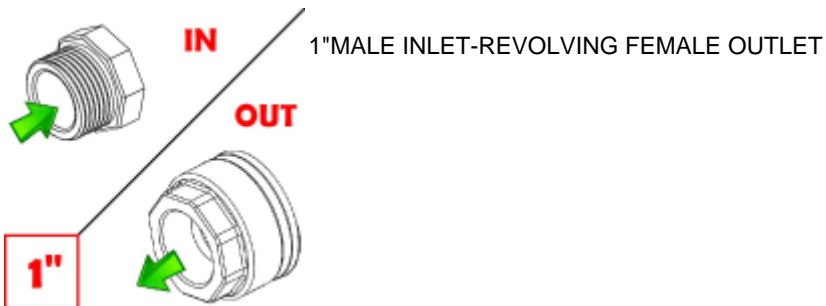
Filling-up and emptying out function

ATTACH

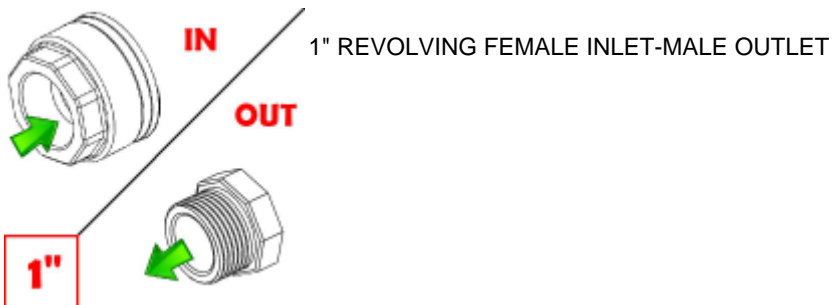
1" M-M



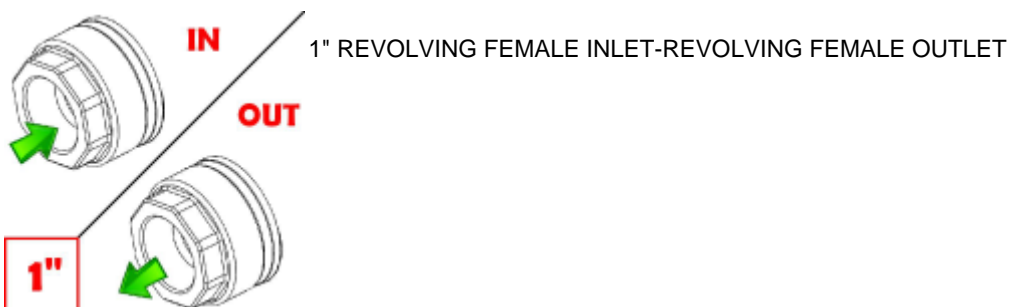
1" M-G



1" G-M



1" G-G



OPTIONAL

Electrical cables for motor and line connection



Version with electrical cables for motor and line connection

Electronic printed circuit board with conformal coating



Electronic printed circuit board with conformal coating (available also as spare part)

Versions for 12V ac-dc



Versions for 12V ac-dc

1" Plastic Elbow 90°



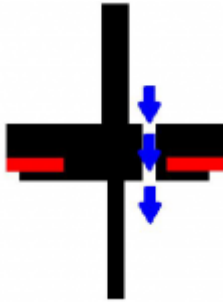
1" plastic elbow for a quick installation of the device on the electric pump

T plastic fitting



T plastic fitting

Version with drilled check valve for water column drain



Version with drilled check valve for water column drain

Versions for 24V ac-dc



Versions for 24V ac-dc

Schuko socket and plug



Schuko socket and power supply cord with plug

Revolving nut fitting 1" F



Revolving nut fitting 1" F



Any unauthorized reproduction or distribution of this document is forbidden. Italtecnica reserves the right to bring without notice any modification on technical data described in the present document. Italtecnica is not liable for any possible mistakes or omissions of the content.