

R 5

Rotary Vane Vacuum Pumps RB/RC 0021 C



- › **Reliable:**
robust construction, reliable operation, proven performance, over 3 million pumps in operation
- › **High Performance:**
high pumping speed and low ultimate pressure, designed for continuous operation
- › **Flexible:**
application-oriented, various design options available, easy adaption to individual customer requirements and processes
- › **Low Operating Costs:**
energy-efficient, optimum cost-benefit ratio
- › **Easy Servicing:**
easy service routine

The R 5 RB/RC 0021 C belongs to the Busch product family of proven R 5 rotary vane vacuum pumps. It has been designed for a wide range of applications, such as vacuum packaging, food processing, pneumatic conveying and many more.

Robustness and reliability of operation are the outstanding qualities of R 5 rotary vane vacuum pumps. These are just some of the reasons why proven Busch rotary vane technology has long established itself as the industry standard. Over 3 million R 5 rotary vane vacuum pumps are in operation worldwide in industry every day.

Rotary vane technology has been continuously developed and optimized by Busch in the course of over 50 years, always with a strong focus on economy and reliability of operation. High efficiency is the benefit of this continual development.

R 5 rotary vane vacuum pumps are characterized by high pumping speeds even in low pressure ranges and therefore rapid evacuation times. They feature highly durable Busch fibre-reinforced epoxy resin vanes as standard, ensuring optimum performance together with long service life. The specially designed exhaust filters provide excellent oil separation.

Maintenance can easily be carried out by the operator. Apart from changing oil and filters at regular service intervals, no further maintenance is required.

R 5 rotary vane vacuum pumps stand for advanced and energy-efficient vacuum generation in a wide variety of applications in industry throughout the world. You can always rely on the R 5 – whether used intermittently or around the clock.

**R 5 – proven and reliable.
Over 3 million pumps
in operation worldwide.**



R 5

Rotary Vane Vacuum Pumps RB/RC 0021 C



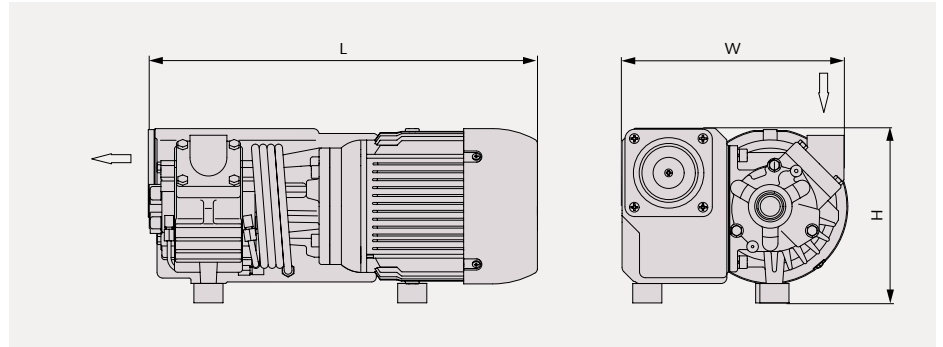
Technical specifications

Rotary vane technology is synonymous with a robust, functional construction. R 5 rotary vane vacuum pumps are characterized by an optimum design and perfectly synchronized components and materials. The constantly high vacuum level is ensured by effective and state-of-the-art precision manufacturing. The R 5 RC 0021 C features an oil return line for continuous operation. A sophisticated oil separator ensures efficient use of oil. When fitted with a gas-ballast valve (optional), even large quantities of vapour can be extracted. A non-return valve in the inlet flange prevents the pumped medium from flowing back into the vacuum process after the vacuum pump is switched off. The R 5 RB/RC 0021 C is driven by a directly flange-mounted standard electric motor.

Accessories / Technical options

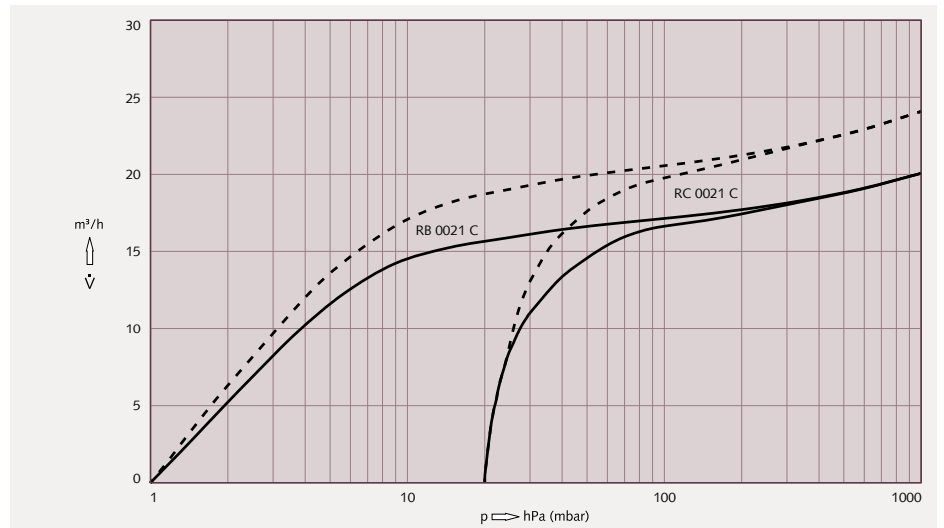
- Gas-ballast valve
- Various inlet filters
- Filter pressure gauge
- Oil level switch
- Vacuum pump oils for all applications
- Vacuum regulating unit

R 5 RB/RC 0021 C



Pumping speed

Air at 20 °C. Tolerance: ± 10% — 50 Hz - - - - 60 Hz



Technical data		RB 0021 C		RC 0021 C
Nominal pumping speed	50 Hz / 60 Hz	m³/h	20 / 24	20 / 24
Ultimate pressure	50 Hz / 60 Hz	hPa (mbar)	1.0	20.0
Nominal motor rating	50 Hz / 60 Hz	kW	0.75 / 0.9	0.75 / 0.9
Nominal motor speed	50 Hz / 60 Hz	min ⁻¹	3000 / 3600	3000 / 3600
Noise level (ISO 2151)	50 Hz / 60 Hz	dB(A)	66 / 72	66 / 72
Oil capacity		l	0.45	0.45
Weight approx.		kg	20	20
Dimensions (L x W x H)		mm	401 x 229 x 180	401 x 229 x 180
Gas inlet			G ½"	G ½"