

# R 5

## Rotary Vane Vacuum Pumps RB 0006 C/E



- › **Reliable:**  
robust construction, reliable operation, more than 2.5 million pumps installed, proven performance
- › **Flexible:**  
application-oriented, short evacuation time
- › **Compact:**  
due to block construction, minimized footprint
- › **Cost-effective:**  
optimum cost-benefit ratio

RB series vacuum pumps are part of the Busch family of proven R 5 rotary vane vacuum pumps. They are designed as close-coupled pumps and are thus very compact and perfect for installation in confined spaces.

Rotary vane technology has been continuously developed and optimized by Busch for more than 50 years, with a constant focus on both economy and reliability of operation. High efficiency and energy-efficient drive units are the positive results of this development.

RB series R 5 rotary vane vacuum pumps are extremely compact due to their integrated motor and transmission, making them the ideal choice for fixed installations. They feature highly durable rotor vanes as standard, ensuring long service life. The specifically designed exhaust filters provide excellent oil separation, removing even the finest oil droplets from the exhaust air.

The R 5 RB 0006 C is characterized by its very compact dimensions, and is suitable

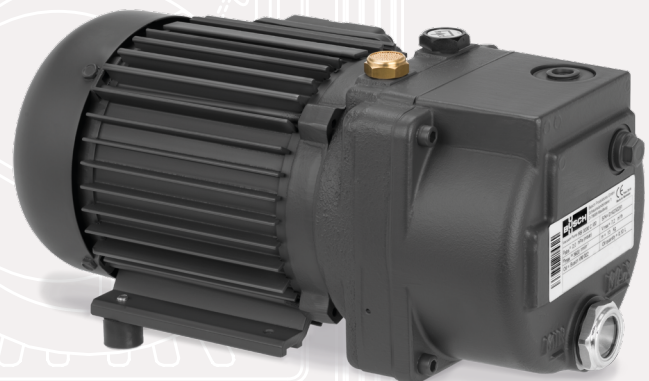
for cyclical operation in confined spaces, e.g. in packaging machines. The R 5 RB 0006 E has a higher oil capacity and optimized oil separation, making it the ideal choice for the harshest rough vacuum applications and for long operating times.

Maintenance can easily be carried out by the operator. Apart from the change of oil and filters at regular service intervals, no further maintenance is necessary.

R 5 rotary vane vacuum pumps are known throughout the industry for modern and energy-efficient vacuum generation suitable for all kinds of applications – whether being used intermittently or around the clock, you can rely on the R 5.

The R 5 series includes many more models than described here. Specialized types of R 5 are available for certain applications such as pumping of very wet gases and vapours, or discharging of oxygen or explosive gases.

**R 5 – proven and reliable.  
Over 2.5 million pumps  
in operation worldwide.**



# R5

## Rotary Vane Vacuum Pumps RB 0006 C/E



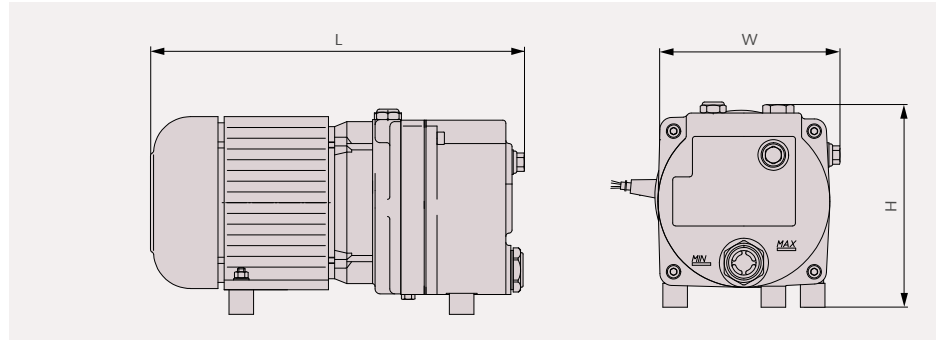
### Technical specifications

Rotary vane technology enables a technically simple vacuum pump design. The consistently high vacuum level in continuous operation is ensured by recirculating oil lubrication, perfectly coordinated materials and state-of-the-art precision manufacturing. An oil separator is included as standard equipment, ensuring clean and oil-free exhaust air by means of a sophisticated extractor system with an integrated oil return. When fitted with a gas-ballast valve (optional), even large quantities of vapour can be extracted. A non-return valve in the inlet flange prevents air from flowing back into the vacuum chamber when the vacuum pump is switched off. The vacuum pump is driven by a highly efficient flange-mounted standard motor.

### Accessories / Technical options

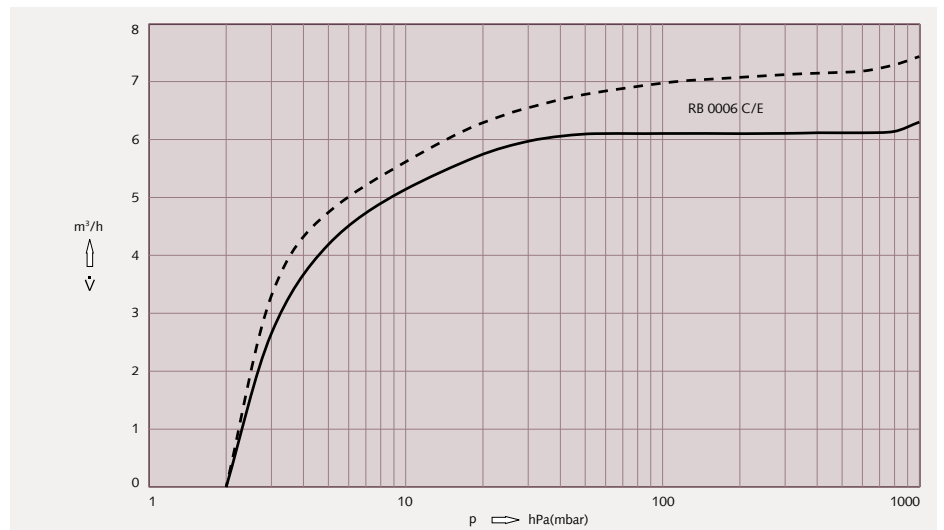
- Gas-ballast valve
- Various inlet filters
- Filter resistance pressure gauge
- Oil level switch
- Vacuum regulating unit
- Vacuum pump oils for all applications

### R5 RB 0006 C/E



### Pumping speed

Air at 20 °C. Tolerance: ± 10% — 50 Hz - - - - 60 Hz



Technical Data	RB 0006 C		RB 0006 E	
Nominal pumping speed	50 Hz / 60 Hz	m³/h	6 / 7.2	6 / 7.2
Ultimate pressure	50 Hz / 60 Hz	hPa (mbar)	2	2
Nominal motor rating	50 Hz / 60 Hz	kW	0.37	0.37
Nominal motor speed	50 Hz / 60 Hz	min <sup>-1</sup>	3000 / 3600	3000 / 3600
Noise level (ISO 2151)	50 Hz / 60 Hz	dB(A)	59	56
Oil capacity		l	0.1	0.2
Weight approx.		kg	13	13
Dimensions (L x W x H)*		mm	325 x 165 x 165	346 x 165 x 165
Gas inlet			G ¼"	G ¼"

\*Depending on the motor.

[www.buschvacuum.com](http://www.buschvacuum.com)

Argentina Australia België Brasil Canada Česko Chile 中国 Colombia Danmark Deutschland España France भारत गणराज्य Ireland ישראל Italia 日本 대한민국 Magyarország Malaysia México Nederland New Zealand Norge Österreich Perú Polska Portugal România Россия Schweiz Singapore South Africa Suomi Sverige 台湾 ประเทศไทย Türkiye الإمارات العربية المتحدة United Kingdom USA

Technical data is subject to change. Created in Germany MG PL R5RB0006CE Len 03/2017 6.0