

# FLUOMAC



## ELECTRONIC DEVICE FOR ELECTRIC PUMP CONTROL

- It automatizes the start and stop operations of **single-phase electric pumps up to 1,5HP**
- It replaces completely the traditional water system set up consisting on pressure switch and pressure tank
- It starts the electric pump after a pressure decrease (taps opening) and stops it when the fluid flow interrupts at the maximum pressure level of the electric pump (taps closing)
- **It protects against the dry running**
- **Starting pressure is externally adjustable** during installation
- Standard 1" M hydraulic connections
- Installation in any position - both vertical and horizontal - according to the flow direction
- No need of maintenance

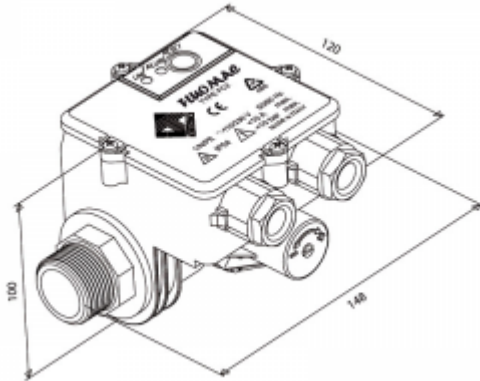
**APPLICATIONS:** Electronic flow and pressure devices, Dry running protection



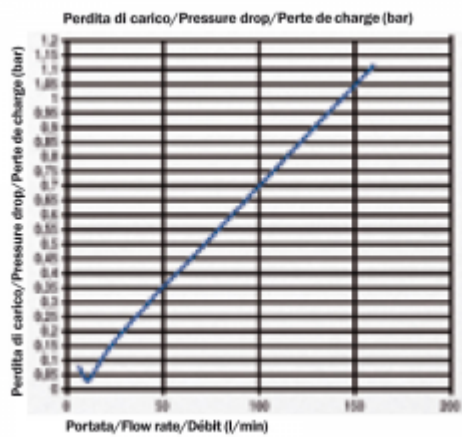
#### TECHNICAL DATA

<b>Power supply:</b>	115-220Vac $\pm$ 10% 50/60Hz
<b>Max rated current:</b>	10A
<b>Starting pressure range:</b>	1-3,5 bar
<b>Max allowable pressure:</b>	10 bar
<b>Protection degree:</b>	IP 54
<b>Max fluid temperature:</b>	55°C
<b>Max ambient temperature:</b>	55°C

## DRAWINGS



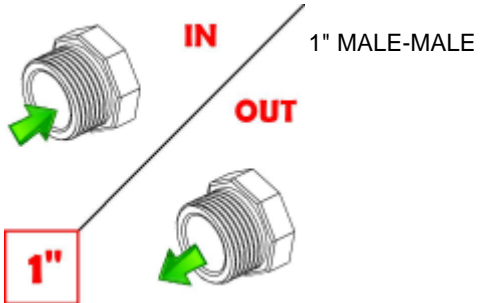
Dimensions



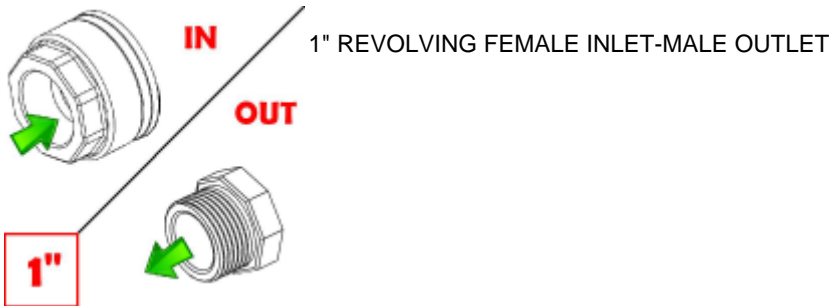
Pressure drop diagram

**ATTACH**

1" M-M



1" G-M



## OPTIONAL

### Electrical cables for motor and line connection



Version with electrical cables for motor and line connection

### Electronic printed circuit board with conformal coating



Electronic printed circuit board with conformal coating (available also as spare part)

### 1" Plastic Elbow 90°



1" plastic elbow for a quick installation of the device on the electric pump

### T plastic fitting



T plastic fitting

### Revolving nut fitting 1" F



Revolving nut fitting 1" F



Any unauthorized reproduction or distribution of this document is forbidden. Italtecnica reserves the right to bring without notice any modification on technical data described in the present document. Italtecnica is not liable for any possible mistakes or omissions of the content.