

Dolphin

Liquid Ring Vacuum Pumps
LX 0260–0430 B



› Robust:

proven technology, high particle and vapour tolerance

› Compact:

directly flanged motor, no base frame required

› Flexible:

application-oriented, operating fluids other than water are possible, ATEX certified version available (Cat. 2 (i) IIB, T4), corrosion-free stainless steel impeller, choice of cast iron (EN-GJL- 200) or 316 grade stainless steel material housings

Dolphin LX are robust and reliable liquid ring vacuum pumps from Busch in a compact monobloc design. Their proven operating principle enables them to be used in many industrial sectors.

The Dolphin series encompasses decades of experience in the manufacture and use of liquid ring vacuum pumps, offering perfect vacuum generation in challenging environments.

The operating fluid is usually water, but other liquids may be used if required by the process conditions. Dolphin LX liquid ring vacuum pumps may be operated as a simple continuous flow system, or as a partial or total recirculation system.

A directly flange mounted motor ensures an exceptionally compact construction, enabling Dolphin LX liquid ring vacuum

pumps to be very well suited for integration into existing systems or machines.

The precisely dimensioned range of sizes, extensive range of accessories and choice of construction materials allow these vacuum pumps to be perfectly adapted to many different industrial processes.

Dolphin LX technology uses the proven liquid ring principle, with contact-free internal components and virtually isothermal compression.

The LX series has been developed for continuous operation. Even demanding applications, such as the discharge of particle-laden gases or highly saturated vapours, can easily be carried out. Dolphin LX liquid ring vacuum pumps are also available in different ATEX versions.

**Dolphin LX – robust and compact.
Ideal for demanding applications.**



Dolphin

Liquid Ring Vacuum Pumps LX 0260–0430 B



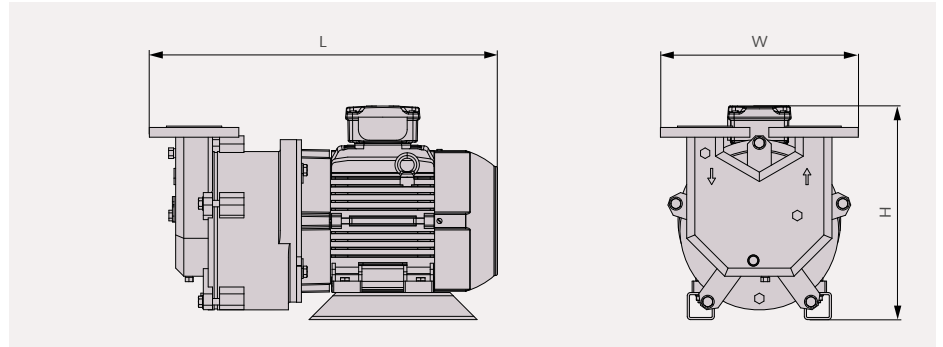
Technical specifications

Dolphin LX is a series of single-stage liquid ring vacuum pumps. An eccentrically mounted impeller rotates in a housing partially filled with operating fluid. The impeller blades dip into the fluid, and the centrifugal force exerted by their rotation forms a so-called liquid ring within the housing. The pumped medium is transported in the spaces between the blades and the liquid ring. The eccentric rotation of the impeller alters the volume of these spaces, causing gas to be drawn in, compressed and expelled.

Accessories / Technical options

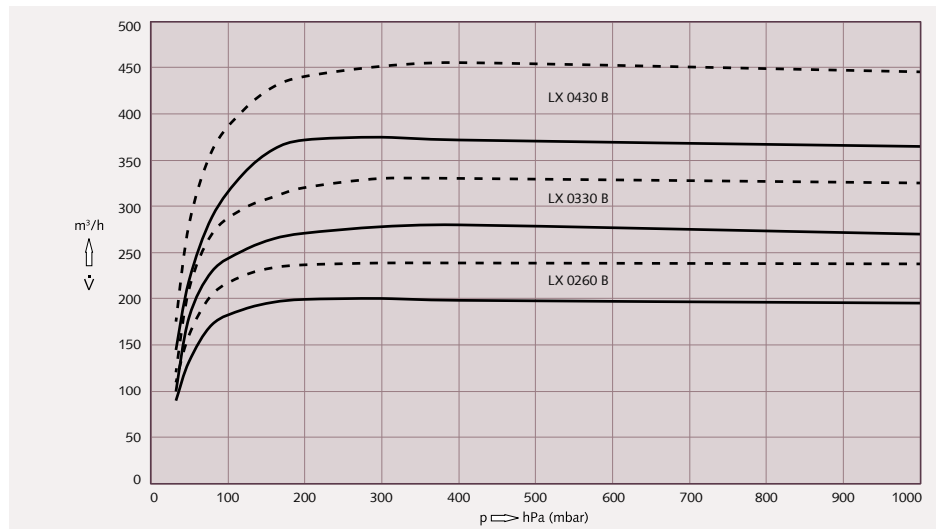
- Modular pumpsets, configured for partial or total recirculation of the operating fluid
- Liquid separator
- Cavitation protection
- Heat exchanger
- Gas ejector
- Wide selection of motors
- Non-return valves
- Vacuum relief valves

Dolphin LX 0260–0430 B



Pumping speed

Dry air at 20 °C. Tolerance: - 10%, in accordance with HEI and Pneurop 6612 — 50 Hz - - - - 60 Hz



Technical data			LX 0260 B	LX 0330 B	LX 0430 B
Nominal pumping speed	50 Hz / 60 Hz	m³/h	200 / 240	280 / 330	372 / 455
Ultimate pressure	50 Hz / 60 Hz	hPa (mbar)	33	33	33
Nominal motor rating	50 Hz / 60 Hz	kW	5.5 / 7.5	7.5 / 11.0	11.0 / 15.0
Nominal motor speed	50 Hz / 60 Hz	min ⁻¹	1450 / 1750	1450 / 1750	1450 / 1750
Noise level (ISO 2151)	50 Hz / 60 Hz	dB(A)	72	72	72
Weight approx. (incl. motor)	50 Hz / 60 Hz	kg	105 / 116	132 / 191	190 / 198
Dimensions incl. motor (L x W x H)		mm	635 x 365 x 402	706 x 365 x 402	818 x 425 x 506
Gas inlet / outlet			DN 50 / DN 50	DN 50 / DN 50	DN 65 / DN 65

www.buschvacuum.com

Argentina Australia Austria Bangladesh Belgium Brazil Canada Chile China Colombia Czech Republic Denmark Finland France Germany Hungary India Ireland Israel Italy Japan Korea Malaysia Mexico Netherlands New Zealand Norway Peru Poland Portugal Romania Russia Singapore South Africa Spain Sweden Switzerland Taiwan Thailand Turkey United Arab Emirates United Kingdom USA

Technical data is subject to change. Created in Germany. MG PL DOLPHINLX02600430B Len 04/2018 88a