

BRIO TOP



ELECTRONIC DEVICE FOR ELECTRIC PUMP CONTROL

- Automatically controls starting and stopping of **single phase electric pumps with absorption up to 16A (3 HP)**.
- **It replaces completely the traditional water system set up** consisting on pressure switch and pressure tank or **can be used as a digital pressure switch with adjustable cut-off and cut-off thresholds** (in a pumping system with pressure tank).
- It starts the electric pump after a pressure decrease (taps opening) and stops it when the fluid flow interrupts at the maximum pressure level of the electric pump (taps closing) or when the set cut-off pressure is reached.
- **Digital pressure display.**
- Operation/error status signalling via LEDs and on-screen alerts.
- **Protection against dry running** in event of water shortage on the suction.
- **Automatic reset** in event of dry running, with autonomous error condition recovery.
- **Motor over current control** which trips in the event of overload or with the rotor blocked.
- **Anti-freeze protection** which starts up the pump when the ambient temperature falls below 4°C.
- **Rotor anti-blocking function** used to prevent seizure of mechanical parts during prolonged periods of pump inactivity.
- **Overpressure protection** able to stop the electric pump at a set threshold.
- **Settable trip pressure** during installation phase **via the digital display.**
- Standard 1" M hydraulic connections.
- Installation in any position ? **both vertical and horizontal** ? according to the flow direction.
- **Operation in master/slave configuration into twin booster sets.**
- **Terminals for remote connection** (1 input + 1 output).
- **Alarm log** for simple analysis of any system malfunctions.
- Removable electrical terminals to facilitate wiring.
- **No need of maintenance.**

APPLICATIONS: Pressure switches for water pumps, Electronic flow and pressure devices, Dry running protection

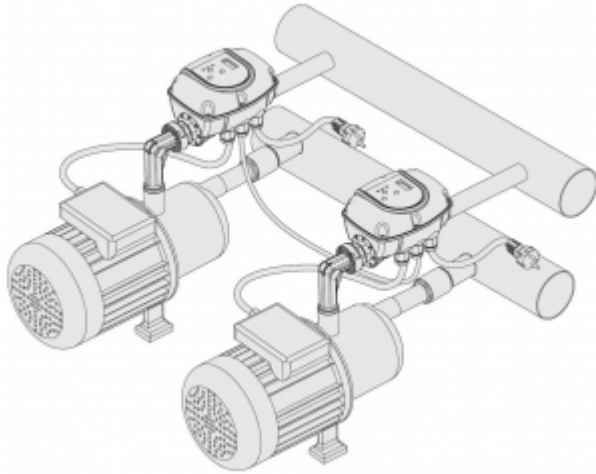


TECHNICAL DATA

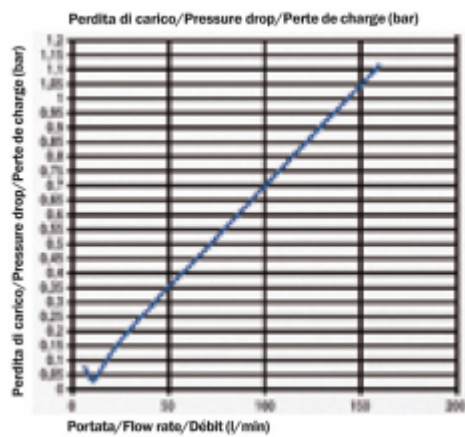
Power supply:	115-230Vac \pm 10% 50/60Hz
Max rated current:	16A
Starting pressure range:	0,5-8,0bar
Max allowable pressure:	10 bar
Protection degree:	IP 65
Max fluid temperature:	30°C
Max ambient temperature:	35°C



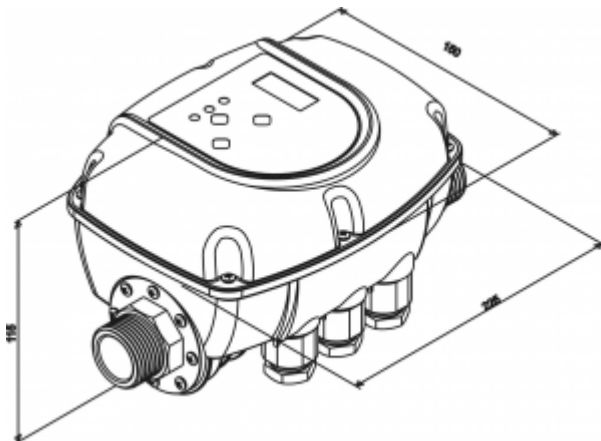
DRAWINGS



TWIN BOOSTER SET



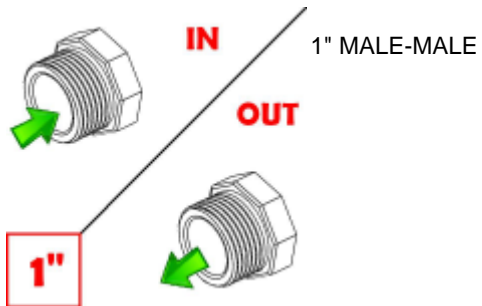
Pressure drop diagram



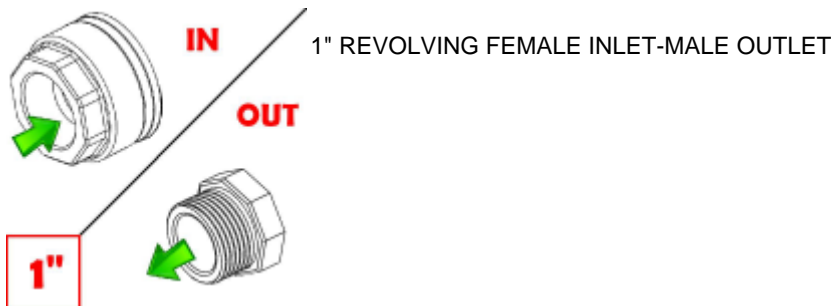
DIMENSIONS

ATTACH

1" M-M



1" G-M



OPTIONAL

Cable for connection in twin booster sets



Cable for connection in twin booster sets 4x0.5mm² 100 cm (SR-CBL4X05-100)

Electrical cables for motor and line connection



Version with electrical cables for motor and line connection

Electronic printed circuit board with conformal coating



Electronic printed circuit board with conformal coating (available also as spare part)

1" Plastic Elbow 90°



1" plastic elbow for a quick installation of the device on the electric pump

T plastic fitting



T plastic fitting

Revolving nut fitting 1" F



Revolving nut fitting 1" F



Viale Europa, 31- 35020 Tribano - Padova (PD) - Italy
Tel. +39.0499.585.388 Fax. +39.0495.342.439
www.italtecnica.com - italtecnica@italtecnica.com

08/10/2019



Any unauthorized reproduction or distribution of this document is forbidden. Italtecnica reserves the right to bring without notice any modification on technical data described in the present document. Italtecnica is not liable for any possible mistakes or omissions of the content.