

BRIO TANK



ELECTRONIC DEVICE FOR ELECTRIC PUMP CONTROL

- It automatizes the start and stop operations of **single-phase electric pumps up to 2HP**
- It replaces completely the traditional water system set up consisting on pressure switch and pressure tank
- It starts the electric pump after a pressure decrease (taps opening) and stops it when the fluid flow interrupts at the maximum pressure level of the electric pump (taps closing)
- A small **0,4 l water tank is integrated** and it prevents unlikely frequent start and stop of the pump in case of small request of water and in case of leakages on the installation
- **Replaceable BUTYL bladder of the pressure tank**
- Adjustable pre-charge pressure (factory setting 1,5 bar) of the pressure tank
- Integrated pressure gauge
- **It protects against the dry running and water hammering**
- **Starting pressure is adjustable during installation**
- Standard 1" M hydraulic connections
- Installation in any position - both vertical and horizontal - according to the flow direction
- **Electronic printed circuit board housed in a waterproof compartment protecting against water condensation**
- No need of maintenance

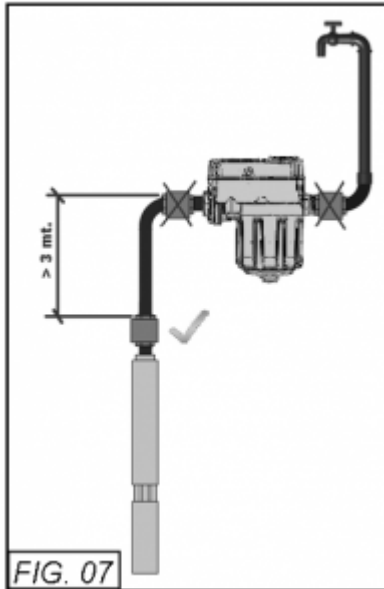
APPLICATIONS: Electronic flow and pressure devices, Dry running protection



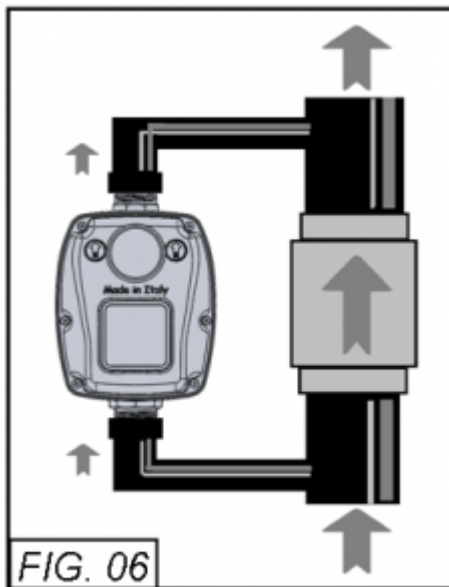
TECHNICAL DATA

Power supply:	230Vac \pm 10% 50/60Hz *
Max rated current:	12A
Starting pressure range:	1-3,5 bar
Max allowable pressure:	10 bar
Protection degree:	IP 65
Max fluid temperature:	35°C
Max ambient temperature:	45°C
Gross volume of pressure tank:	0,4l
Factory pre-charge pressure of the tank:	1.5 Bar

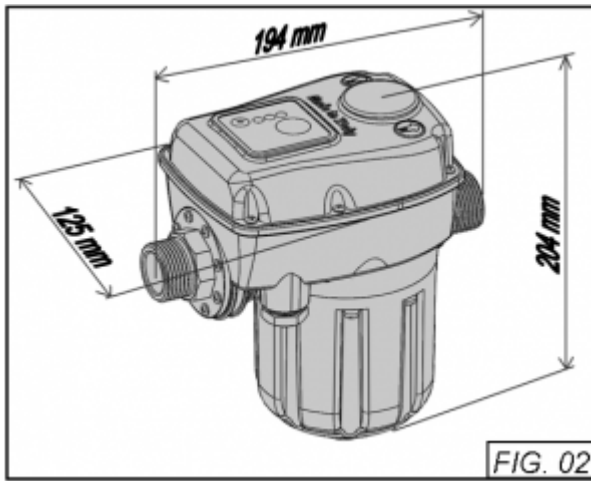
DRAWINGS



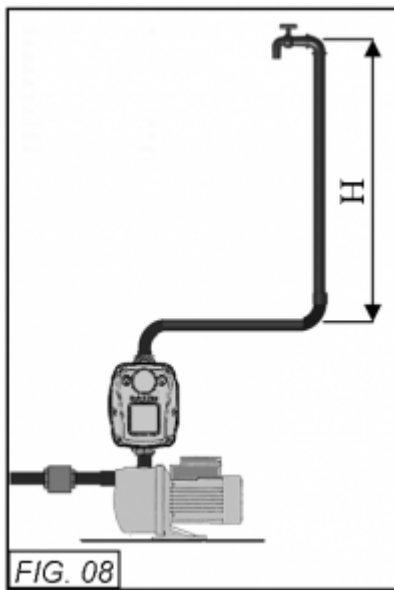
INSTALLATION WITH SUBMERSIBLE PUMP



BY-PASS



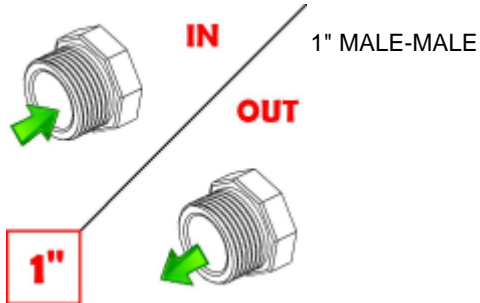
OVERALL DIMENSIONS



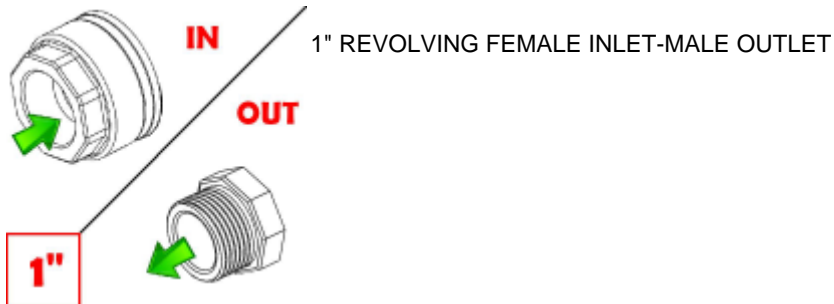
MAXIMUM HEAD H=35m

ATTACH

1" M-M



1" G-M



OPTIONAL

Automatic Reset



Automatic reset after a stop caused by dry running, standard time-interval 60 min/4 tests



Electrical cables for motor and line connection



Version with electrical cables for motor and line connection

1" Plastic Elbow 90°



1" plastic elbow for a quick installation of the device on the electric pump

T plastic fitting



T plastic fitting

Customized settings



Customized settings

Revolving nut fitting 1" F

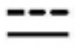


Revolving nut fitting 1" F

Versione 12-24Vdc

Versione 12-24Vdc



12-24 V 



Viale Europa, 31- 35020 Tribano - Padova (PD) - Italy
Tel. +39.0499.585.388 Fax. +39.0495.342.439
www.italtecnica.com - italtecnica@italtecnica.com

08/10/2019



Any unauthorized reproduction or distribution of this document is forbidden. Italtecnica reserves the right to bring without notice any modification on technical data described in the present document. Italtecnica is not liable for any possible mistakes or omissions of the content.