

FRP BASEPLATE



NON-METALLIC POLYMER SOLUTIONS FOR
SATURNevo FRP series

ARGAL offers fiberglass baseplates as an optional for the FRP series, **SATURNevo** centrifugal pumps. The non-metallic polymer solutions made of FRP resin are ideal for corrosive atmospheres and are available in various configurations to fit any requirement.

These FRP baseplates have many benefits which make them an excellent choice:

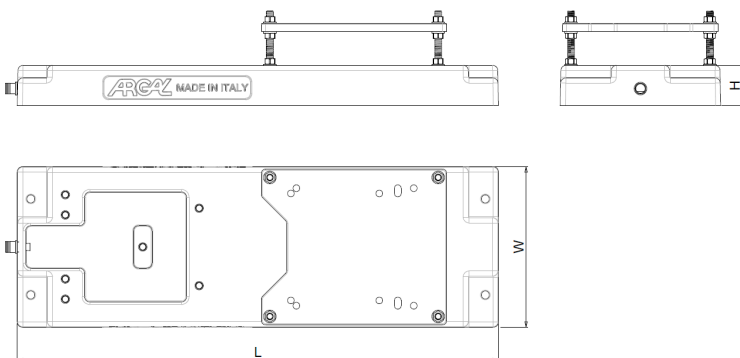
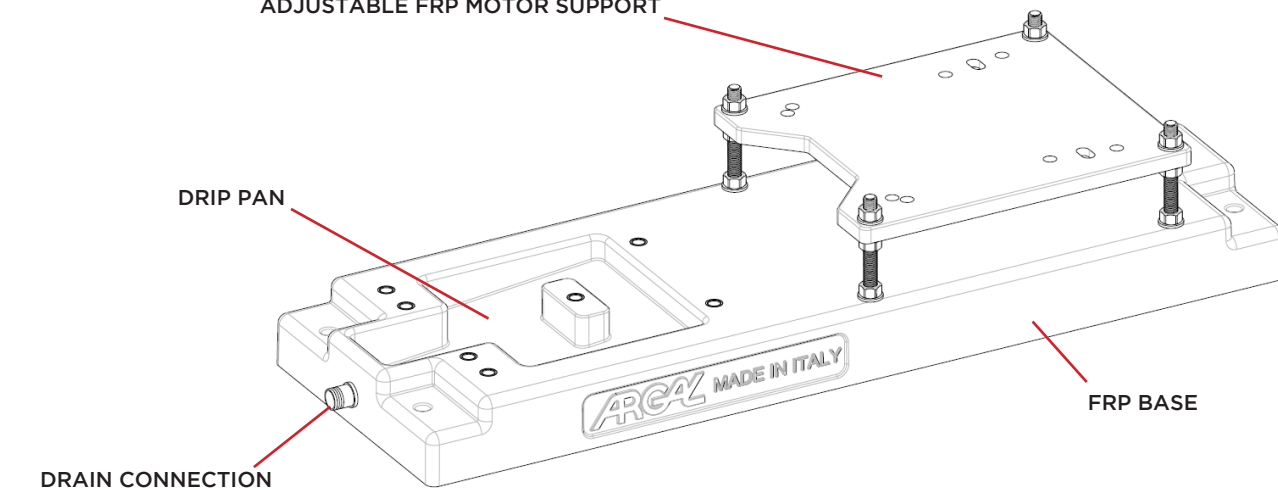
- 2 versions of construction: **Empty** to be filled with concrete and **Integral** with solid-block FRP resin).
- 16 models available in close coupled "M" or long coupled "G" mounting combinations.
- High-corrosion resistance thanks to the material of construction "FRP" (fiberglass reinforced polymer) and Stainless Steel inserts.
- Easy installation thanks to the threaded holes.
- Lower maintenance costs and operations.
- ANSI/ASME B 73.1 standards compliance.
- Drip pan with drain connection.
- Possibility to customise the baseplate color and add your logo (on request).

ADJUSTABLE FRP MOTOR SUPPORT

DRIP PAN

DRAIN CONNECTION

FRP BASE



Group	N. base	L	W	H	Pump version
B1	122	737	381	95	M
	233	838	381	95	M
	133	991	381	95	M
	139	991	381	95	G
	244	1143	381	95	M
	245	1143	381	95	G
B2	148	1219	457	105	G
	252	1321	457	105	G
B3	153	1346	533	121	G
	258	1473	533	121	G
	264	1626	533	121	G
B4	268	1727	660	121	G
	368	1727	660	121	G
	280	2032	660	121	G
	380	2032	660	121	G
	398	2489	660	121	G

Note: dimensions in mm ; "M" close coupled; "G" long coupled

FOLLOW
US ON



ARGAL srl
Via Labirinto, 159 - 25125 BRESCIA - (Italy)
Tel. +39 030 3507011 - fax +39 030 3507077
info@argal.it - www.argalpumps.com