

JPC-PT BOOST YOUR WATER PRESSURE WITH A COST-EFFICIENT UNIT



The compact Grundfos JPC-PT is a cost-efficient booster solution designed for domestic use. The JPC-PT is suitable for pressure boosting from mains water or break-tanks where self-priming operation is needed. Pump, pressure switch and pressure tank

are all assembled in one unit to offer an easy “plug and pump” installation. The pump automatically starts and stops according to demand while ensuring controlled pressure in the water supply.

be
think
innovate

GRUNDFOS 

BENEFITS AND TECHNICAL FEATURES

Self-priming

With a suction-lift up to 8m, this pump is ideal for boosting water from a well or ground tanks. This feature makes this pump ideal for a large variety of installations.

Robust design

The materials of the pump are lightweight and ensure excellent corrosion resistance.

Thermal overload protection

JPC-PT is effectively protected against any accidental overload, by built-in thermal and current protection. This means that no additional motor protection is required.

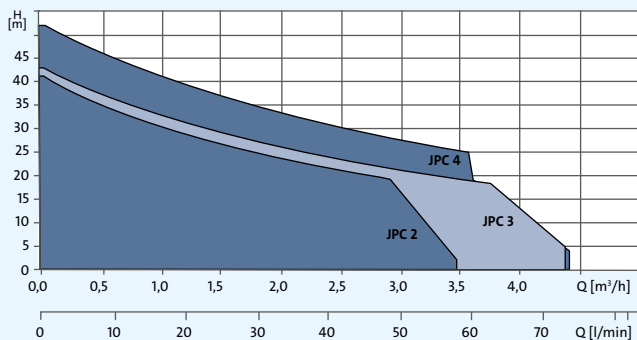
Stable operation

The pump ensures stable operation with excellent suction capacity even when there are air bubbles and small sandy impurities in the water.

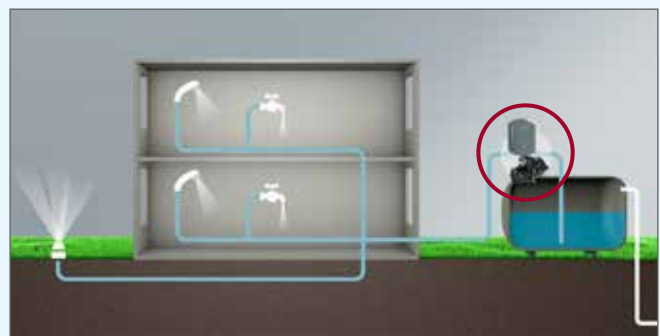
Great system comfort

The diaphragm tank increases system comfort by limiting the switching frequency of the pump and compensating for pressure drops when a tap is opened. It also reduces problems with water hammer in the pipework.

PERFORMANCE RANGE



APPLICATION – PRESSURE BOOSTING



TECHNICAL DATA

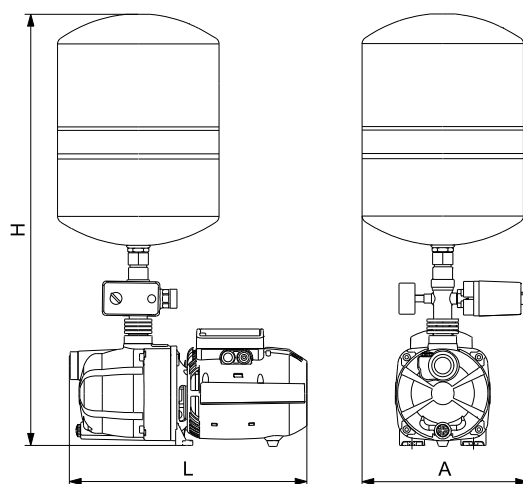
Tank size	18 litres
Mains voltage	1 x 115 V, 60 Hz 1 x 220-240 V, 50/60 Hz
Enclosure class	IP44
Insulation class	F
Start/stop frequency	Max. 20 per hour

Pump type	P1	
	HP	KW
JPC-PT 2	1.0	0.72
JPC-PT 3	1.15	0.85
JPC-PT 4	1.5	1.1

OPERATING CONDITIONS

System pressure	Max. 6 bar
Suction lift	Max: 8m, including suction pipe pressure loss at a liquid temperature of +20 °C
Liquid temperature	0 °C to +35 °C
Ambient temperature	Max. 40 °C
Relative air humidity	Max. 95 %

DIMENSIONS



Pump type	Dimensions [mm]			Weight [kg]
	A	H	L	
JPC-PT 2	280	630	410	13.8
JPC-PT 3	280	630	410	14.1
JPC-PT 4	280	630	430	16.1