

COBRA

Screw Vacuum Pumps
NX 0450/0650 A



- › **Advanced screw design**
- › **Cost-effective:**
low power consumption,
minimal maintenance, low
operating costs
- › **Robust:**
high particle and vapour
tolerance, self-draining
- › **Compact design**
- › **Quiet operation**

The COBRA NX 0450 A and NX 0650 A dry screw vacuum pumps are the high-performance and robust vacuum generators for industrial applications and it is in use wherever gases and vapours need to be pumped reliably and without contamination. Thanks to the dry screw technology, the compression chamber is completely free from operating fluids. This prevents condensation and deposits from the pumping medium and stops the medium from becoming contaminated with oil.

Ultimate pumping speed

The COBRA NX dry screw vacuum pumps are designed in such way that it can achieve a high, stable pumping speed in the common operation pressure range of 0.1 to 1,000 hPa (mbar).

Operationally reliable

The asymmetrical screw profile and free gas discharge allow for a high degree of fluid and particle compatibility. Optimum corrosion resistance is ensured thanks to even temperature distribution. The COBRA NX are equipped with direct water cooling, which ensures optimum cooling.

Application orientated

The COBRA NX dry screw vacuum pump has been designed to be user friendly: all functions required for maintenance are located on one side. The dimensions are extremely compact, making the COBRA NX the ideal choice when space is limited. To enable use in the food industry, the new vacuum pump has been designed to meet the requirements of the relevant hygiene guidelines. The cleaning process is therefore quick, easy and hygienic.

Applications

- Coating processes
- Drying processes
- Freeze drying
- Heat treatment
- Packaging
- Thermoforming
- Degassing of clay
- Milk powder production

**COBRA NX –
the robust and reliable
solution for
industrial applications.**



COBRA NX 0450 A

COBRA

Screw Vacuum Pumps NX 0450/0650 A



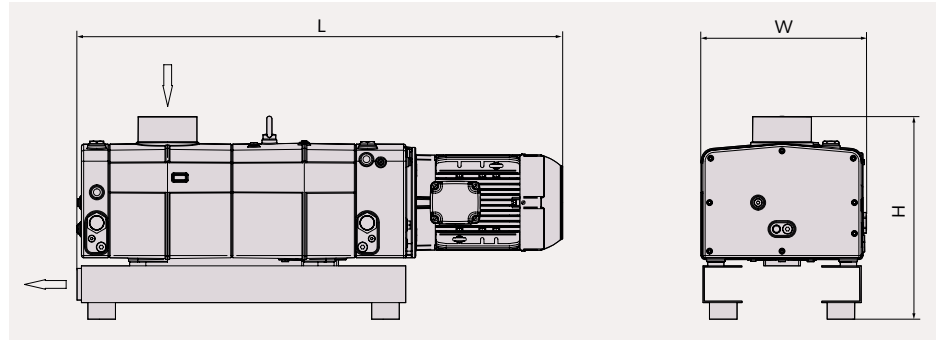
Technical specifications

The COBRA NX are single-stage, two-shafted dry screw vacuum pumps. The cylinder contains two rotating screw rotors. The pumping medium is trapped between the individual screw coils, compressed and transported to the gas discharge. During the compression process, the two screw rotors do not come into contact with each other or the cylinder. This means that there is no need for lubrication or operating fluid in the compression chamber at all.

Accessories/technical options

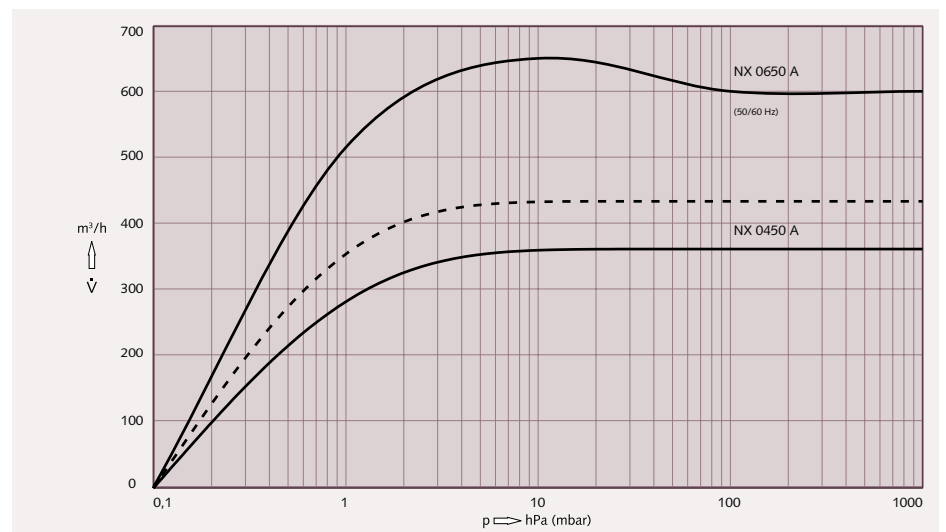
- Sealing gas supply for seals used with applications particularly subject to damp or dust
- Gas-ballast valve to increase water vapour tolerance
- Exhaust gas silencer to reduce noise

COBRA NX 0450/0650 A



Pumping speed

Air at 20 °C. Tolerance: ± 10% — 50 Hz - - - - 60 Hz



Technical Data			NX 0450 A	NX 0650 A
Nominal pumping speed	50 Hz / 60 Hz	m³/h	350 / 420	650
Ultimate pressure	50 Hz / 60 Hz	hPa (mbar)	≤0.1	≤0.1
Nominal motor rating	50 Hz / 60 Hz	kW	7.5 / 9.5	12.5 / 17.0
Nominal motor speed	50 Hz / 60 Hz	min ⁻¹	3000 / 3600	3000 / 3600
Noise level (ISO 2151)	50 Hz / 60 Hz	dB(A)	65 / 70	71 / 75
Weight approx.		kg	500	700
Dimensions (L x W x H)		mm	1321 x 450 x 551	1521 x 524 x 623
Gas inlet			G 3" / ISO-F DN 100	G 3" / ISO-F DN 100
Gas outlet			G 2" / ISO-F DN 100	G 2" / ISO-F DN 100

Busch Austria GmbH

Josef Hafner-Straße 6 | 2100 Korneuburg | Phone +43 (0)2262 75 66 50 | busch@busch.at | www.busch.at

Argentina Australia Austria Belgium Brazil Canada Chile China Colombia Czech Republic Denmark Finland France Germany Hungary India Ireland Israel Italy Japan Korea Malaysia Mexico New Zealand Netherlands Norway Peru Poland Portugal Russia Singapore South Africa Spain Sweden Switzerland Taiwan Thailand Turkey United Arab Emirates United Kingdom USA

Technical data is subject to change. Created in Germany 10/2015 4.0