

Zebra

Two-Stage Rotary Vane Vacuum Pumps RH 0006 - 0030 A



Robustness and reliability in operation are the outstanding properties of the oil lubricated Zebra rotary vane vacuum pumps. These are some of the reasons why Busch vacuum pump technology has long been proven and established as the industry standard. Over two million Busch rotary vane vacuum pumps are in use every day worldwide in industrial applications. With the new Zebra series Busch now also offers two-stage rotary vane vacuum pumps for applications in the medium vacuum range.

Operationally reliable and cost-effective

For over 50 years oil lubricated rotary vane technology has been continuously developed and improved by Busch, with a constant focus on both economy and reliability in operation. High pumping speed efficiency and energy-efficient operation are the positive results of this development.

Application-oriented

Zebra rotary vane vacuum pumps are distinguished by high pumping speed in the low pressure ranges resulting in quick pump-down times. Model specific vanes are designed to guarantee long uptimes and the built in oil shield ensures excellent oil separation for clean exhaust air.

Applications

- Analytical instruments - GCMS
- Coating equipment
- Backing pump for turbomolecular and diffusion vacuum pumps
- Leak detectors
- Load locks
- Electron microscopes
- Distillation, Extraction
- Filtration, Solvent recovery
- Freeze drying



**Zebra – reliable vacuum
for demanding industrial and
scientific applications.**



Zebra

Two-Stage Rotary Vane Vacuum Pumps RH 0006 - 0030 A



Technical specifications

Building on the well proven, robust, single stage design technology, the Zebra two-stage rotary vane vacuum pump has a technically simple construction for generating improved end pressure.

The consistent, high vacuum level achieved in continuous operation is guaranteed by forced oil lubrication, correct selection of component materials and precise, state-of-the-art manufacturing techniques.

The built in oil shield ensures clean and oil-free exhaust air.

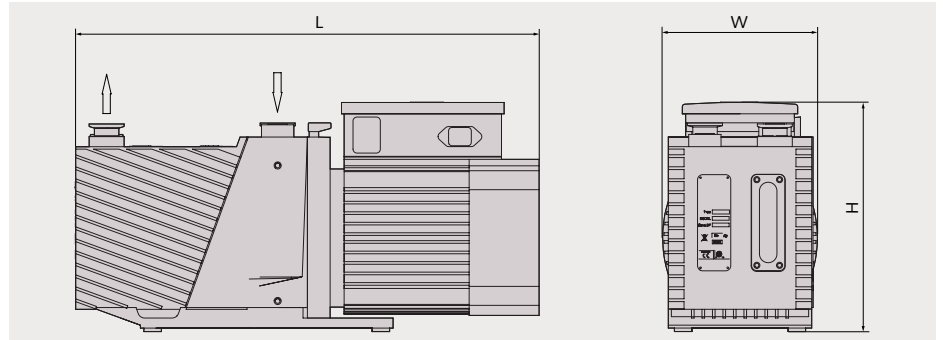
The integrated gas ballast valve, allows for large amounts of vapour to be processed, while maintaining an excellent vacuum level.

An oil driven non-return valve mounted in the inlet flange, opens when the pump is operating and prevents air from flowing back into the vacuum chamber by closing when the vacuum pump is switched off.

Accessories/technical options

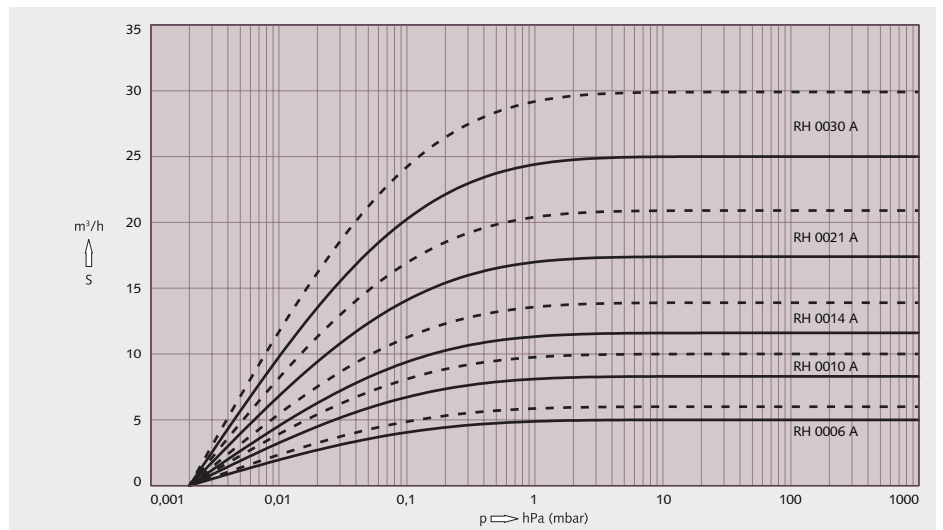
- Exhaust oil separator with oil return line
- Oil drain extension kit

Zebra RH 0006 - 0030 A



Pumping speed

Air at 20 °C. Tolerance: ± 10% — 50 Hz - - - - 60 Hz



Technical Data			RH 0006 A	RH 0010 A	RH 0014 A	RH 0021 A	RH 0030 A
Nominal pumping speed	50 Hz / 60 Hz	m³/h	5.7 / 6.8	9.6 / 11.5	14.2 / 17.1	20.5 / 24.7	30.2 / 36.4
Ultimate pressure	50 Hz / 60 Hz	hPa (mbar)	2 · 10 ⁻³	2 · 10 ⁻³	2 · 10 ⁻³	2 · 10 ⁻³	2 · 10 ⁻³
Nominal motor rating	50 Hz / 60 Hz	W	450 / 550	450 / 550	450 / 550	750 / 900	750 / 900
Nominal motor speed	50 Hz / 60 Hz	min ⁻¹	1500 / 1800	1500 / 1800	1500 / 1800	1500 / 1800	1500 / 1800
Weight approx.		kg	22	25	25	35	35
Dimensions	L x W x H	mm	430 x 132 x 212	467 x 132 x 212	467 x 132 x 212	541 x 164 x 242	541 x 164 x 242
Connection flange pressure/suction side		DN	25 KF / 25 KF	25 KF / 25 KF	25 KF / 25 KF	25 KF / 25 KF	25 KF / 25 KF

Dr.-Ing. K. Busch GmbH

Schauinslandstraße 1 | 79689 Maulburg | Phone +49 (0)7622 681-0 | info@busch.de | www.busch.de

Argentina Australia Austria Belgium Brazil Canada Chile China Czech Republic Denmark Finland France Germany Hungary India Ireland Israel Italy Japan Korea Malaysia Mexico New Zealand Netherlands Norway Poland Portugal Russia Singapore South Africa Spain Sweden Switzerland Taiwan Thailand Turkey United Arab Emirates United Kingdom USA

Technical data is subject to change. Created in Germany 06/N