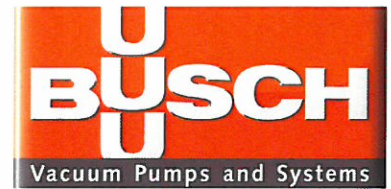


Samos

Side Channel Blowers
SI 0540 - 1150 E1/F1



Samos SI are the ideal side channel blowers for vacuum and overpressure ranges.

Application-orientated

Samos side channel blowers can be used wherever pulsation-free air or other gases are used to generate vacuum or overpressure. The large variety of sizes and performance classes mean that Busch can always supply the most effective side channel blower for any application, both in terms of cost and technology. The blower can be installed horizontally or vertically. An extensive range of accessories also allows the blower to be perfectly tailored to the requirements of the application.

Powerful

Due to the effective compression and precise aluminium die-cast components, Samos SI side channel blowers achieve high pressure differentials and pumping speeds.

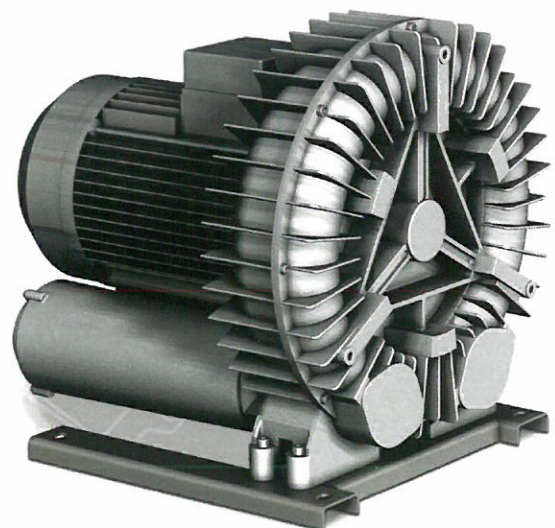
Maintenance-free

Samos SI side channel blowers compress the pumping medium without any oil or touching parts. The permanently lubricated bearings and effective air cooling allow the Samos SI side channel blowers to be totally maintenance-free. A thermo switch installed as standard provides the blower with effective protection against overloading.

Economical

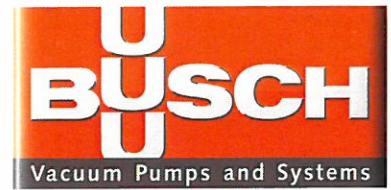
Samos SI side channel blowers are extremely cost-effective and environmentally friendly, thanks to the oil-free compression and energy-efficient drive motor.

Samos – the economical solution for vacuum and overpressure applications.



Samos

Side Channel Blowers SI 0540 - 1150 E1/F1



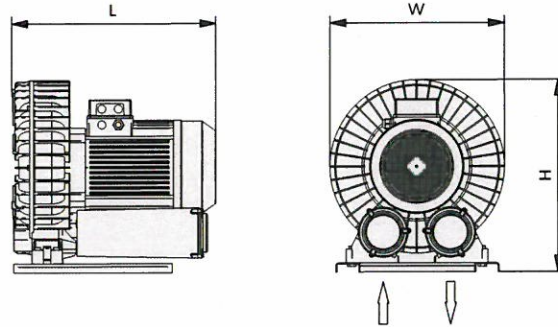
Technical specifications

Samos side channel blowers work according to the impulse principle. This means that kinetic energy from a rotating impeller is transferred to the pumping medium and converted into pressure. The impeller is mounted directly on the shaft of the motor and, together with the specially shaped housing, forms the side channel. The pumping medium is sucked in, compressed in the side channel and then discharged after one rotation. This way a Samos side channel blower can be used to generate both vacuum and blast air. The motor power also influences the blower's pumping or discharge speed. The two silencers fitted on the inlet and discharge sides guarantee a quiet operation.

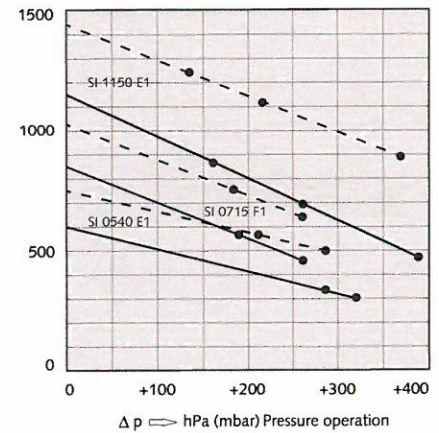
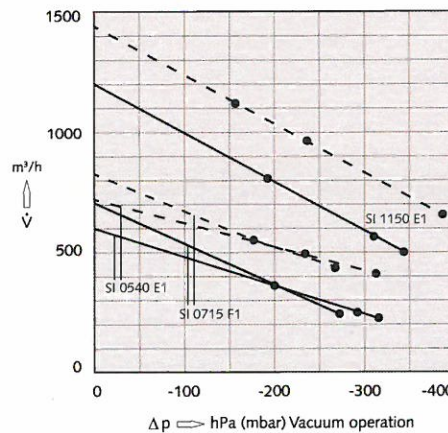
Accessories/technical options

- Vacuum relief valves
- Pressure relief valves
- Additional silencers

Samos SI 0540 - 1150 E1/F1



Pumping speed/Volume flow Air at 20 °C. Tolerance: ± 10% — 50 Hz - - - - 60 Hz



Technical Data		SI 0540 E1		SI 0715 F1 *		SI 1150 E1			
Nominal pumping speed/volume flow	50 Hz / 60 Hz	m ³ /h	600 / 720		700 / 840		1200 / 1440		
Max. differential pressure, vacuum version Nominal motor rating	50 Hz	hPa (mbar)	-295	-315	-200	-275	-185	-315	-345
		kW	7.5	9.0	5.5	7.6	11.0	15.0	20.0
Max. differential pressure, vacuum version Nominal motor rating	60 Hz	hPa (mbar)	-225	-315	-180	-270	-155	-245	-390
		kW	8.6	10.4	6.3	8.6	12.6	17.3	25.2
Max. differential pressure, pressure version Nominal motor rating	50 Hz	hPa (mbar)	+285	+320	+190	+260	+155	+265	+390
		kW	7.5	9.0	5.5	7.6	11.0	15.0	20.0
Max. differential pressure, pressure version Nominal motor rating	60 Hz	hPa (mbar)	+205	+285	+180	+260	+125	+215	+370
		kW	8.6	10.4	6.3	8.6	12.6	17.3	25.2
Nominal motor speed	50 Hz / 60 Hz	min ⁻¹	3000 / 3600		3000 / 3600		3000 / 3600		
Noise level (ISO 2151)	50 Hz / 60 Hz	dB(A)	78 / 84		70 / 74		82 / 84		
Max. weight approx.		kg	102		69		205		
Dimensions	L x W x H	mm	602 x 530 x 583		449 x 451 x 461		719 x 570 x 631		
Gas inlet/outlet			G 2 ½ / G 2 ½		G 2 ½ / G 2 ½		G 4 / G 4		

* thermal protection available as an option

Dr.-Ing. K. Busch GmbH

Schauinslandstraße 1 | 79689 Maulburg | Phone +49 (0)7622 681-0 | info@busch.de | www.busch.de

Argentina Australia Austria Belgium Brazil Canada Chile China Colombia Czech Republic Denmark Finland France Germany Hungary India Ireland Israel Italy Japan Korea Malaysia Mexico New Zealand Netherlands Norway Peru Poland Portugal Russia Singapore South Africa Spain Sweden Switzerland Taiwan Thailand Turkey United Arab Emirates United Kingdom USA

Technical data is subject to change. Created in Germany 12/2014