

R 5

Rotary Vane Vacuum Pump RA 0750 A



The R 5 RA 0750 A is one of the proven series of Busch rotary vane vacuum pumps. Its performance characteristics make it the perfect choice for medium vacuum use. When combined with a vacuum booster it is also ideally suited to high vacuum applications.

Robustness and reliability of operation are the outstanding properties of R 5 rotary vane vacuum pumps. These are some of the reasons why proven Busch technology has long been established as the industry standard. Over 2.5 million R 5 vacuum pumps are in use worldwide in industrial day to day business.

Optimised for medium and high vacuum applications

The 50 Hz version of the R 5 RA 0750 A is equipped with a frequency converter that allows continuous operation at 60 Hz. This feature improves both pumping speed and ultimate pressure, although the energy consumption remains similar to that of a normal 50 Hz model. A version with a 60 Hz motor as standard is also available.

The thermal stability of these high-performance vacuum pumps is maintained by a special cooling system.

The robust frame and small flange connector allow vacuum booster to be installed directly. This compact arrangement increases pumping speed and permits operation in high vacuum ranges.

The R 5 RA 0750 A is ideally suited to applications in heat treatment and various coating and metallurgical processes, both as a single unit or as part of a vacuum system.



R 5 RA 0750 A – perfectly suited to heat treatment and coating processes.



R 5 RA 0750 A

R 5

Rotary Vane Vacuum Pump RA 0750 A



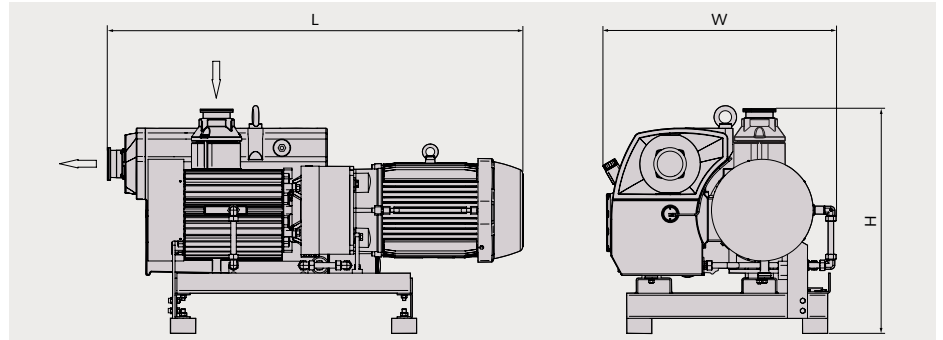
Technical specifications

The rotary vane technology enables technically simple assembly of the vacuum pumps. The consistently high vacuum level in continuous operation is guaranteed by the circulating oil lubrication, perfectly coordinated materials and state-of-the-art and precise manufacturing. The integrated oil separator ensures clean, oil-free exhaust thanks to its sophisticated extractor system with integrated oil return. A non-return valve in the inlet flange prevents air from flowing back into the vacuum chamber during the vacuum pump's shut-down period. The drive unit is driven by a directly flanged standard motor, efficiency class IE2.

Accessories/technical options

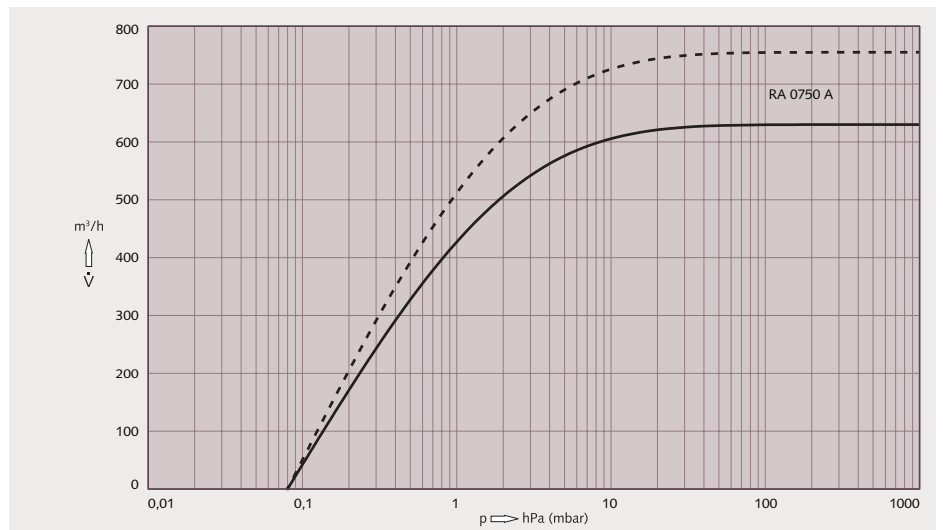
- Double gas-ballast valve, solenoid operated
- Vacuum booster may be fitted as boosters by flange connector
- Various inlet filters
- Oil level switch
- Temperature switch
- Vacuum pump oils for all applications

R 5 RA 0750 A



Pumping speed

Air at 20 °C. Tolerance: ± 10% — 50 Hz - - - - 60 Hz



Technical Data		RA 0750 A	
Nominal pumping speed	50 Hz / 60 Hz	m³/h	750 (630)* / 750
Ultimate pressure	50 Hz / 60 Hz	hPa (mbar)	0.08
Nominal motor rating	50 Hz / 60 Hz	kW	18,5 (15,0)* / 18.5
Nominal motor speed	50 Hz / 60 Hz	min ⁻¹	1200 (1000)* / 1200
Cooling water consumption		l/min	5
Noise level (ISO 2151)	50 Hz / 60 Hz	dB(A)	78 (76)* / 78
Oil capacity		l	15
Weight approx.		kg	670
Dimensions	L x W x H	mm	1570 x 975 x 915
Gas inlet / outlet			DN 100 / DN 100

* Option

Dr.-Ing. K. Busch GmbH

Schauinslandstraße 1 | 79689 Maulburg | Tel. +49 (0)7622 681-0 | info@busch.de | www.busch.de

Argentina Australia Austria Belgium Brazil Canada Chile China Czech Republic Denmark Finland France Germany Hungary India Ireland Israel Italy Japan Korea Malaysia Mexico New Zealand Netherlands Norway Poland Portugal Russia Singapore South Africa Spain Sweden Switzerland Taiwan Thailand Turkey United Arab Emirates United Kingdom USA

Technical data is subject to change. Created in Germany 11/0