

# Puma

## Roots Vacuum Pumps WP 1250 - 4500 B2/D2



**Higher pumping speed** and improved ultimate pressure: Puma WP Roots vacuum pumps increase the performance of your vacuum system, making it more efficient and economical. Available in nine different sizes, Puma WP Roots vacuum pumps can be designed to perfectly suit all rough and medium vacuum applications in which the performance of the forepump must be drastically increased or optimally adapted to the process.

The Puma WP 1250 D2, WP 2000 D2 and WP 4500 B2 are the three largest Roots vacuum pumps in this series.

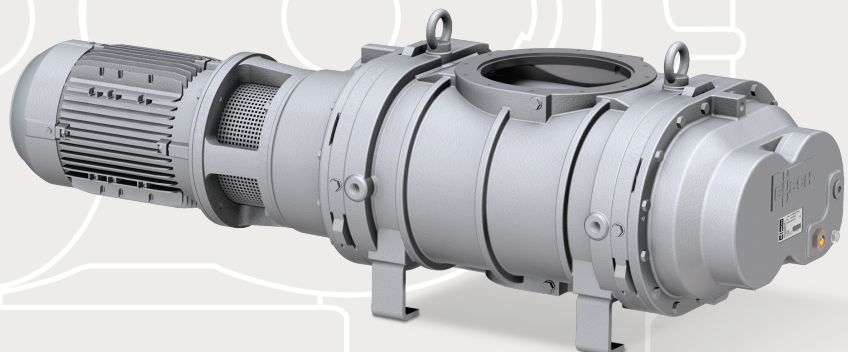
Puma WP Roots vacuum pumps are perfect booster pumps for all types of forepump. When used in combination of forepump and booster pump together, they are capable of increasing the pumping speed and ultimate pressure by a factor of 10. As a result, these pump combinations can generate a suction performance which would otherwise only be possible with a large number of forepumps.

The Puma WP can be controlled using a pressure switch that activates the Roots vacuum pump of the forepump if it has achieved the optimum pressure. Alternatively, the Puma WP is also available in versions that are controlled by frequency converters.

Puma WP Roots vacuum pumps can be flanged directly onto the forepump or at any other position on the system.



**Puma – the economical performance optimiser.**



# Puma

## Roots Vacuum Pumps WP 1250 - 4500 B2/D2



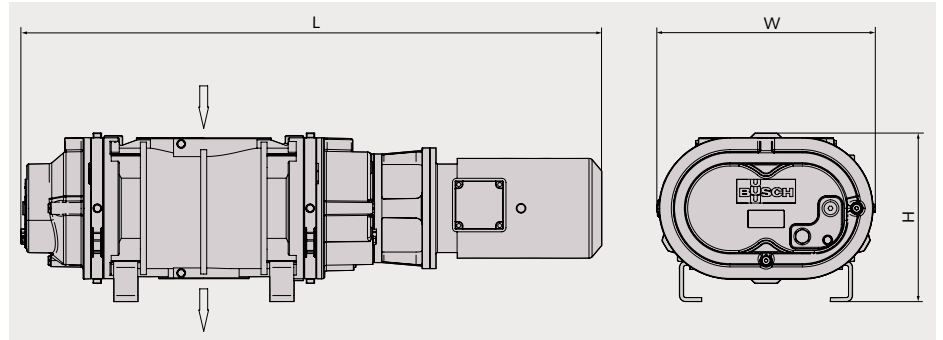
### Technical specifications

Within the housing of Puma WP Roots vacuum pumps, two pistons rotate synchronously. Thanks to the special profile of the rotating pistons and their precise manufacturing, they do not come into contact with each other or the housing. This makes it possible to pump a medium without the need of any operating fluids. The synchronous rotation of the two rolling pistons is driven by a pair of gear wheels located on the shaft ends in the gearbox and separated from the compression chamber. The Roots vacuum pumps are driven by a directly flanged electric motor of efficiency class IE2.

### Roots vacuum pumps from Busch

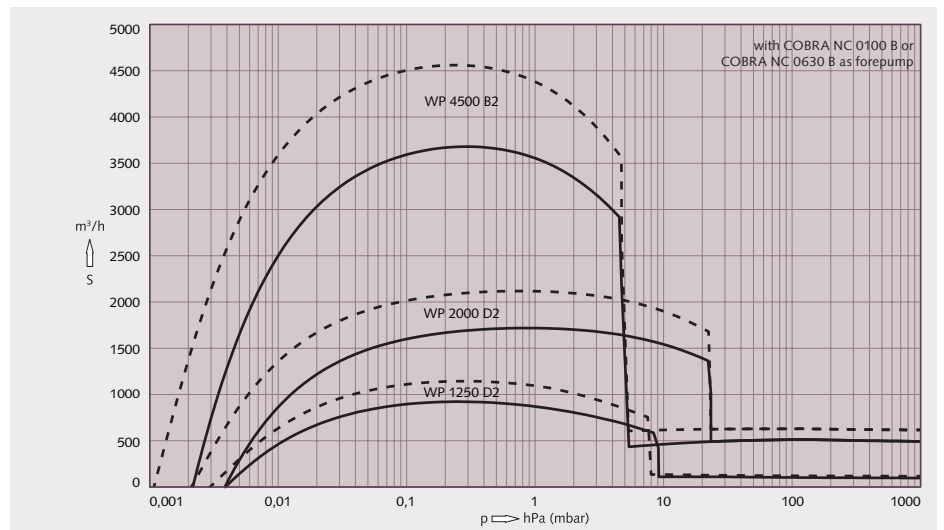
In addition to the Puma WP series, Busch also manufactures other Roots vacuum pumps in a range of sizes. When used on vacuum systems, these cover virtually all applications in industry, as well as the research and science sectors. Contact us. Our application specialists are happy to advise you.

### Puma WP 1250 - 4500 B2/D2



### Pumping speed

Air at 20 °C. Tolerance: ± 10% — 50 Hz - - - - 60 Hz



Technical Data			WP 1250 D2	WP 2000 D2	WP 4500 B2
Nominal pumping speed	50 Hz / 60 Hz	m <sup>3</sup> /h	1295 / 1555	2020 / 2435	4500 / 5400
Max. pressure differential	50 Hz / 60 Hz	hPa (mbar)	50	50	30
Nominal motor rating	50 Hz / 60 Hz	kW	4.2 / 5.2	6.0 / 7.6	11.0 / 12.6
Nominal motor speed	50 Hz / 60 Hz	min <sup>-1</sup>	3000 / 3600	3000 / 3600	3000 / 3600
Weight approx.		kg	220	330	560
Dimensions	L x W x H	mm	1065 x 315 x 494	1135 x 390 x 605	1444 x 544 x 484
Gas inlet / outlet		ISO-F	DN 160 / DN 160	DN 160 / DN 160	DN 250 / DN 160

### Busch (UK) Ltd.

Hortonwood 30 | Telford, Shropshire, TF1 7YB | Phone +44 (0)1952 67 74 32 | sales@busch.co.uk | www.busch.co.uk

Argentina Australia Austria Belgium Brazil Canada Chile China Czech Republic Denmark Finland France Germany Hungary India Ireland Israel Italy Japan Korea Malaysia Mexico New Zealand Netherlands Norway Poland Portugal Russia Singapore South Africa Spain Sweden Switzerland Taiwan Thailand Turkey United Arab Emirates United Kingdom USA

Technical data is subject to change. Created in Germany 05/19